

Bezel 85 x 85 mm

Eco designed

UGR <math><10</math>

Low glare

Emergency Options

Renewable luminaire

Warranty 5 years

Plaster-in Options

98% Recyclable

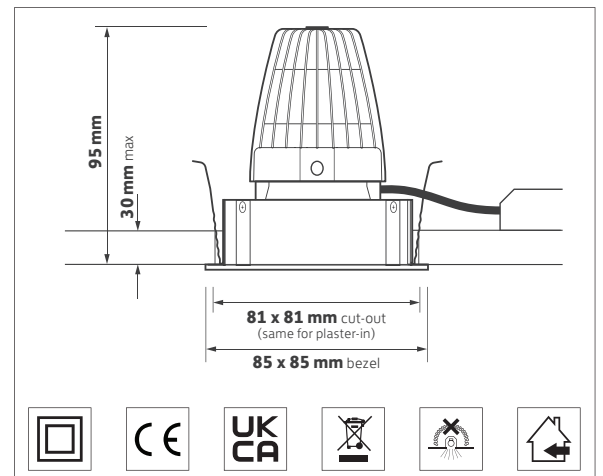
Dimming Options

Wireless Options

KEY FEATURES

- Low glare architectural downlight powered by Tridonic
- Discreet minimal bezel, die-cast from pure aluminium
- White bezel - RAL 9003
- Matt black darklight baffle - RAL 9005 - developed to minimise glare
- Fitted with an integral IP44 protective lens as standard
- Precision moulded 40° reflector
- Tridonic LED engine and driver system
- Excellent thermally optimised 24 super-fin die-cast heatsink
- Short circuit, overload and temperature protection
- Complements Topaz ACA, ACJ and ACC

DIMENSIONS



ORDERING INFORMATION

Engine output (lm)	Luminaire power (tcW)	Colour temp	Model ref.
625	8.0	927	ACB001
650	6.5	830	ACB002
700	6.5	840	ACB003
850	10.0	927	ACB004
850	7.5	830	ACB005
900	7.5	840	ACB006
1150	13.5	927	ACB007
1250	11.5	830	ACB008
1325	11.5	840	ACB009

OPTIONS

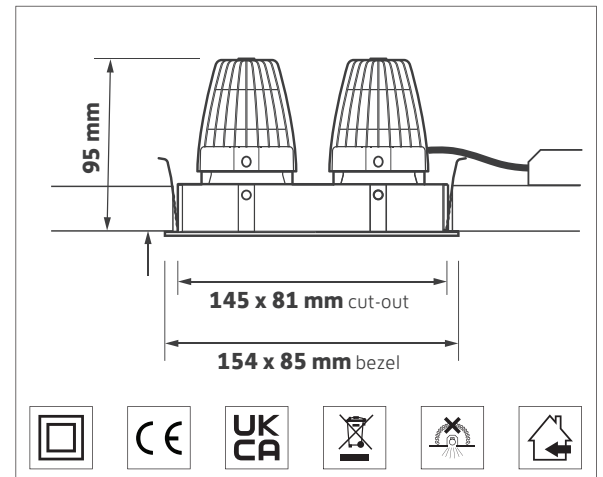
Options	Suffix
Narrow beam reflector	/NB
Control gear	/ECO, /MDIM, /BTC
Emergency - Remote indicator	/EM, /EMD
Emergency - Integral indicator	/EMI, /EMDI
Plaster in bezel	/PI
Black bezel	/BK
White softlight baffle	/WSB
Ra90 high colour rendering	/9
Product variations available	PV.



KEY FEATURES

- Low glare architectural downlight powered by Tridonic
- Discreet minimal bezel, die-cast from pure aluminium
- White bezel - RAL 9003
- Matt black darklight baffle - RAL 9005 - developed to minimise glare
- Fitted with an integral IP44 protective lens as standard
- Precision moulded 40° reflector
- Tridonic LED engine and driver system
- Excellent thermally optimised 24 super-fin die-cast heatsink
- Short circuit, overload and temperature protection
- Complements Topaz ACA, ACJ and ACC

DIMENSIONS

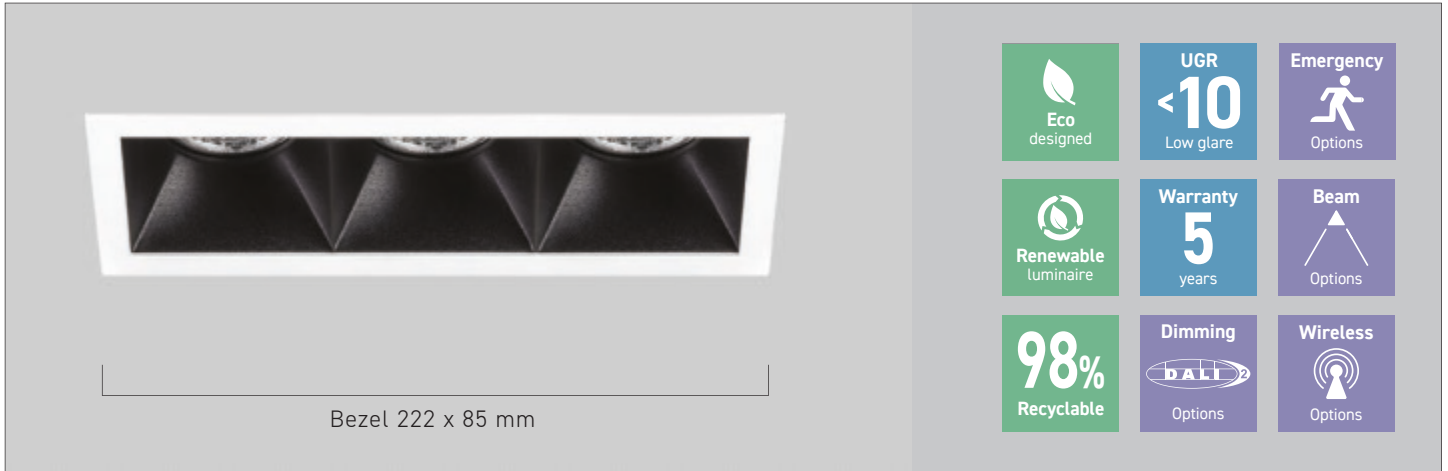


ORDERING INFORMATION

Engine output (lm)	Luminaire power (tcW)	Colour temp	Model ref.
1225	16.0	927	ACB201
1300	13.0	830	ACB202
1375	13.0	840	ACB203
1675	20.0	927	ACB204
1700	15.5	830	ACB205
1800	15.5	840	ACB206
2275	27.0	927	ACB207
2475	23.0	830	ACB208
2625	23.0	840	ACB209

OPTIONS

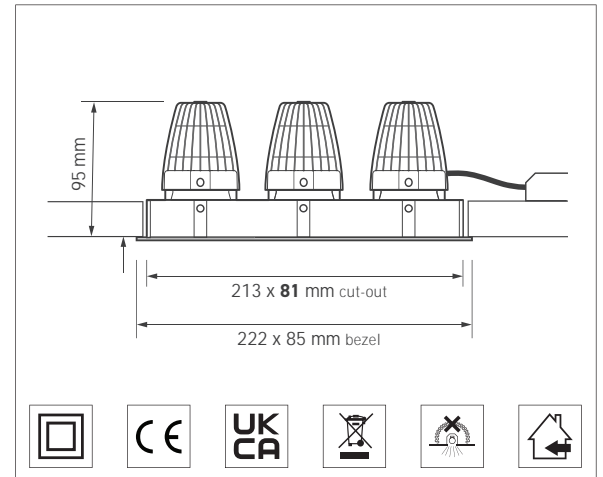
Options	Suffix
Narrow beam reflector	/NB
Control gear	/ECO, /MDIM, /BTC
Emergency - Remote indicator	/EM, /EMD
Emergency - Integral indicator	/EMI, /EMDI
White softlight baffle	/WSB
Ra90 high colour rendering	/9
Product variations available	PV.



KEY FEATURES

- Low glare architectural downlight powered by Tridonic
- Discreet minimal bezel, die-cast from pure aluminium
- White bezel - RAL 9003
- Matt black darklight baffle - RAL 9005 - developed to minimise glare
- Fitted with an integral IP44 protective lens as standard
- Precision moulded 40° reflector
- Tridonic LED engine and driver system
- Excellent thermally optimised 24 super-fin die-cast heatsink
- Short circuit, overload and temperature protection
- Complements Topaz ACA, ACJ and ACC

DIMENSIONS



ORDERING INFORMATION

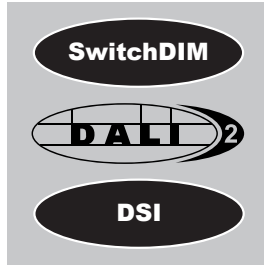
Engine output (lm)	Luminaire power (tcW)	Colour temp	Model ref.
1825	24.0	927	ACB301
1925	19.0	830	ACB302
2050	19.0	840	ACB303
2500	29.5	927	ACB304
2550	23.0	830	ACB305
2700	23.0	840	ACB306
3400	40.0	927	ACB307
3725	34.0	830	ACB308
3950	34.0	840	ACB309

OPTIONS

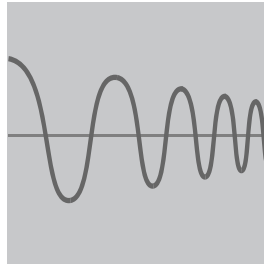
Options	Suffix
Narrow beam reflector	/NB
Control gear	/ECO, /MDIM, /BTC
Emergency - Remote indicator	/EM, /EMD
Emergency - Integral indicator	/EMI, /EMDI
White softlight baffle	/WSB
Ra90 high colour rendering	/9
Product variations available	PV.



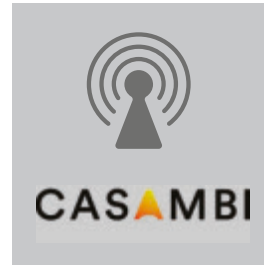
/NB
20° narrow beam reflector



/ECO
SwitchDIM, DALI & DSI



/MDIM
Mains dimming



/BTC
Casambi wireless network inc. dimming



/EM
Emergency Remote indicator



/EMD
DALI / Self test EM Remote indicator



/EMI
Emergency Integral indicator



/EMDI
DALI / Self test EM Integral indicator



/R9
High colour rendering LED module



/PI
Plaster-in bezel
Single versions only



/BK
Black bezel
RAL 9005



/WSB
White softlight baffle
RAL 9003



BTWS001
Wireless Casambi single wall switch



BTWS002
Wireless Casambi twin wall switch



Topaz - ACB

Options & accessories



Membership No 1835

PV - PRODUCT VARIATIONS



PV - Contact Sales

Any RAL colour bezel



PV - Contact Sales

Any RAL colour baffle



PV - Contact Sales

Choice of connectors



PV - Contact Sales

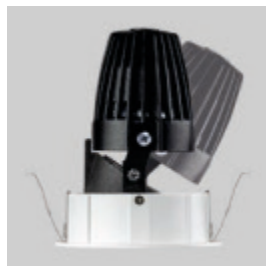
LSOH / LSF cable

RELATED PRODUCTS



Wall wash

See Topaz ACC



Tiltable

See Topaz ACC



Round downlight

See Topaz ACJ



Pendant

See Topaz AI

Thornhill Road Business Park
Tenter Fields, Dewsbury
West Yorkshire
WF12 9QT
+44 (0)1924 482777
www.gamma-uk.com



Please note: Specification values may change due to rapid development of lighting technology. All performance data is taken at an ambient temperature of +25°C. Data may be rounded up/down for illustrative purposes. We reserve the right to amend or change details without prior notification. E&OE.