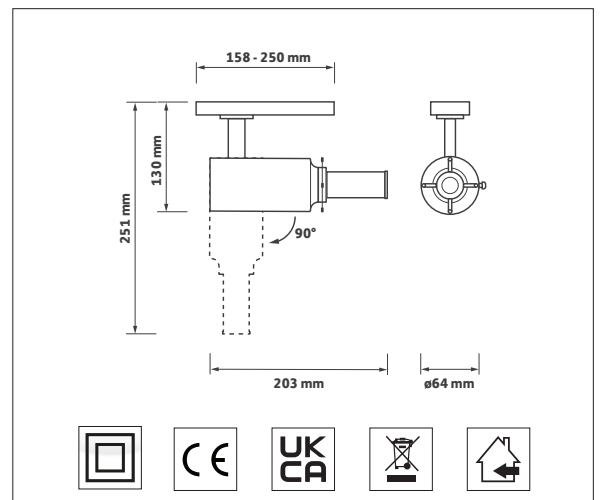


KEY FEATURES

- Framing LED track mounted spotlight
- FramiFlex LED shape shifter lens
- 4 adjustable aperture framing plates
- Portrait, landscape, blade and irregular designations
- Focus and zoom dampening adjustment
- Main body finished in white as standard with black option
- Features Vossloh LED and in-track driver system
- Ra80 with Ra90 options
- MacAdam colour tolerance 3 SDCM
- Lumen maintenance L90 @ 55,000 hours
- DALI and wireless control options
- 5 year warranty

DIMENSIONS



ORDERING INFORMATION

Luminaire output (lm)	Colour	Luminaire power (tcW)	Model ref.
525	830	11.0	BI001/LO
525	840	11.0	BI002/LO
625	830	14.0	BI001
650	840	14.0	BI002
800	830	20.5	BI003
825	840	20.5	BI004
950	830	26.5	BI005
975	840	26.5	BI006

OPTIONS

Options	Suffix
Black	/BK
High colour rendering	/9
Control gear	/MDIM, /DALI, /BTC

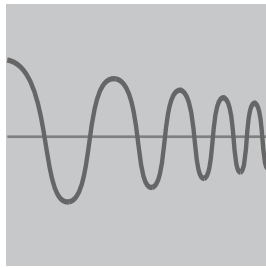


Jingo-2 - BI

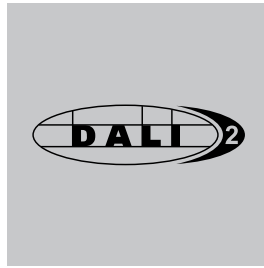
Options and accessories



/BK
Black



/MDIM
Mains dimming



/DALI
DALI control gear



/BTC
Casambi wireless network
inc. dimming



/9
Ra90 high colour
rendering LED module

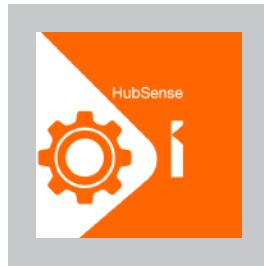
PV - PRODUCT VARIATIONS



PV - Contact Sales
Tunable white for HCL



PV - Contact Sales
Philips MasterConnect
wireless control



PV - Contact Sales
HubSense wireless
control



Jingo-2 - BI

Options and accessories



Membership No 1835

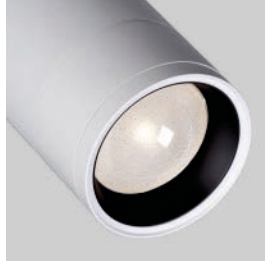
RELATED PRODUCTS



See Jingo-2 BE
Up to 2800 lm output



See Jingo-2 BF
Up to 5225 lm output



See Jingo-2 BH
Zoom snoot



Track and accessories
See Stucchi OneTrack®
datasheet



BTWS001
Wireless Casambi
single wall switch



BTWS002
Wireless Casambi
twin wall switch

Thornhill Road Business Park
Tenter Fields, Dewsbury
West Yorkshire
WF12 9QT
+44 (0)1924 482777
www.gamma-uk.com



Please note: Specification values may change due to rapid development of lighting technology. All performance data is taken at an ambient temperature of +25°C. Data may be rounded up/down for illustrative purposes. We reserve the right to amend or change details without prior notification. E&OE.