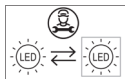


Suspended LED downlight

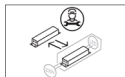
INSTALLATION GUIDE

990.0237.02 - 21/05/2024

Important



The light source and control gear in this luminaire shall only be replaced by the original manufacturer, service agent or similarly qualified person.



Please refer to product technical datasheet for light source energy class information.

Please retain this guide for future reference and recycle packaging.



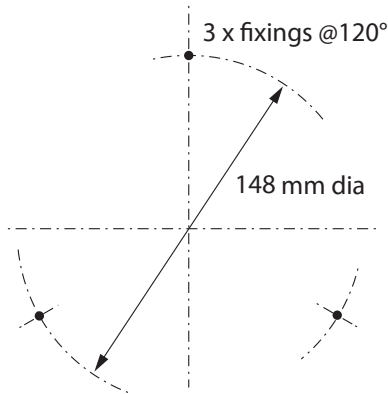
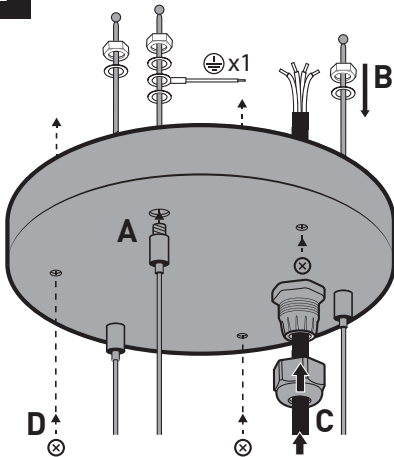
Note: Luminaire design may vary

1

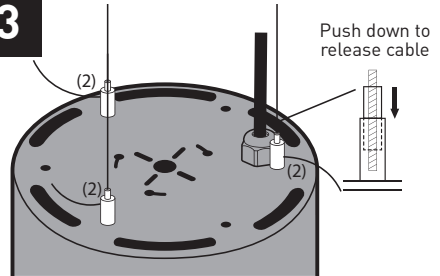
Isolate mains supply before commencing installation



- Mark out fixing points on mounting surface, allowing for cable routing to mains connection point.

**2**

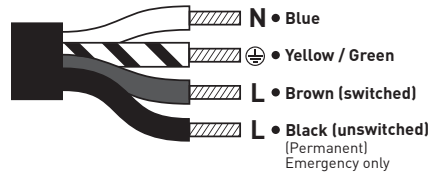
- Secure 3 x clutches into large holes with nut and washer A.
- Feed a suspension wire through each clutch B (x 6). Fit earth tag to one of these as shown.
- Feed mains cable through gland C, do not fully tighten at this stage.
- Position gear tray on mounting surface and fix to ceiling securely using suitable fixings D (not supplied).

3

- Measure 3 x suspension wires and mains cable to required length and carefully trim.

4

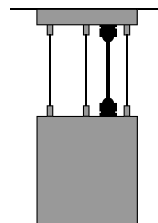
Connect LED driver to mains supply



- Terminal block not included. Installation must be performed by a qualified person in accordance with the latest edition of the IEE wiring regulations BS7671.
- If no terminal block is available, carefully remove supply leads from control gear and connect directly into terminals, taking care to follow markings on housing.
- For variants fitted with DALI control gear, please refer to supplementary installation guide.

5

Note: Luminaire style may vary



- Adjust clutches to level luminaire (depress pin to release).
- Tighten cable gland.

Reinstate mains supply

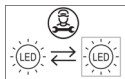


Suspended LED downlight

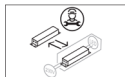
INSTALLATION GUIDE

990.0447.03 - 21/05/2024

Important



The light source and control gear in this luminaire shall only be replaced by the original manufacturer, service agent or similarly qualified person.



Please refer to product technical datasheet for light source energy class information.

Please retain this guide for future reference and recycle packaging.



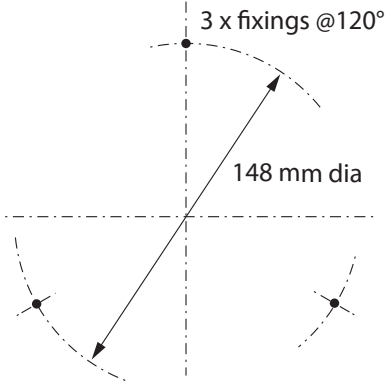
Note: Luminaire design may vary

1

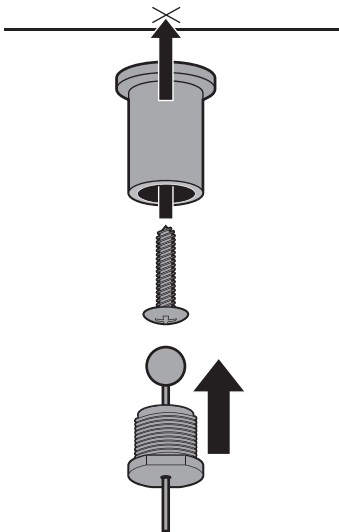
Isolate mains supply before commencing installation



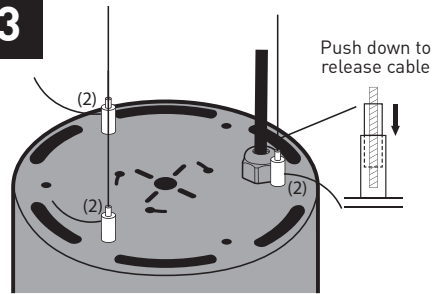
- Mark out fixing points on mounting surface, allowing for cable routing to mains connection point.



- For variants fitted with DALI control gear, please refer to supplementary installation guide 990.0009.01

2

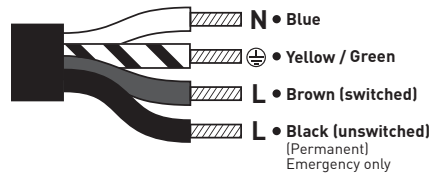
- Attach ceiling cup assemblies to ceiling using suitable fixings (not supplied).

3

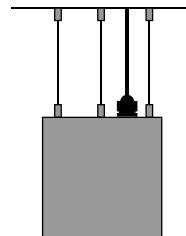
- Measure 3 x suspension wires and mains cable to required length and carefully trim.

4

Connect LED driver to mains supply



- Terminal block not included. Installation must be performed by a qualified person in accordance with the latest edition of the IEE wiring regulations BS7671.
- If no terminal block is available, carefully remove supply leads from control gear and connect directly into terminals, taking care to follow markings on housing.
- For variants fitted with DALI control gear, please refer to supplementary installation guide.

5

- Adjust clutches to level luminaire (depress pin to release).
- Tighten cable glands.

Reinstate mains supply

