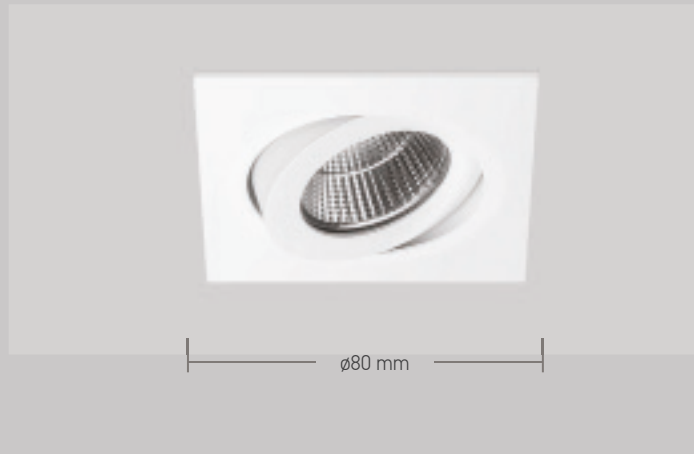


# VORTEX - CD

## DATASHEET

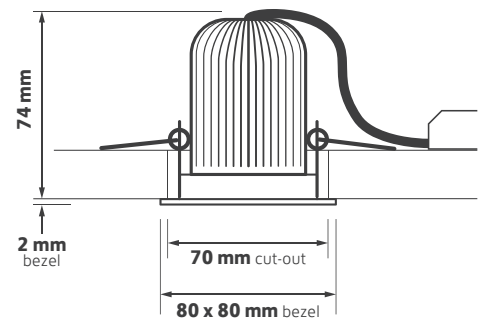
GAMMA  
ILLUMINATION



## Key Features

- Professional, minimal LED Downlight
- Die-cast low profile bezel, white RAL9003
- Lumen maintenance L70/F50 @ >50,000 hours
- Injection moulded 36° faceted reflector
- High efficacy, low glare
- No visible flicker (IEEE PAR1789 2015)
- Dimming, DALI and emergency options
- 5 year warranty

## Technical Drawing



DC

Declaration of Conformity available

## Ordering Information

Output lm	Power tcW	Colour	Model Ref.
750	8	830	<b>CD001</b>
775	8	840	<b>CD002</b>

## Options

Please select from the options below.

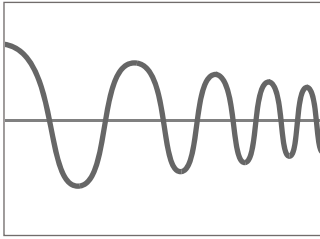
Phase-cut mains dimming	<b>/MDIM</b>
SwitchDIM, DALI or DSI	<b>/ECO</b>
Casambi wireless network (inc dim)	<b>/BTC</b>
3 hour emergency conversion	<b>/EM</b>
3 hour self-test and DALI emergency conversion	<b>/EMD</b>

# VORTEX - CD

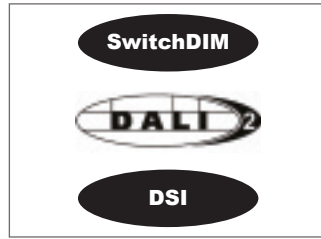
DATASHEET

GAMMA  
ILLUMINATION

## Options



**/MDIM**  
Phase-cut mains dimming



**/ECO**  
SwitchDIM, DALI or DSI



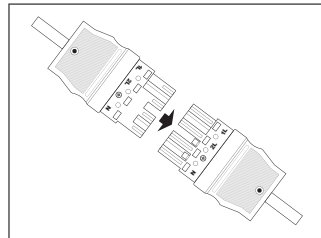
**/BTC**  
Casambi wireless network  
(inc dim)



**/EM**  
3 hour emergency conversion



**/EMD**  
3 hour self-test and DALI  
emergency conversion



**Product variations**  
Plug and Sockets



**Product variations**  
Any RAL colour

Thornhill Road Business Park  
Tenter Fields, Dewsbury  
West Yorkshire  
WF12 9QT  
+44 (0)1924 482777  
www.gamma-uk.com

