

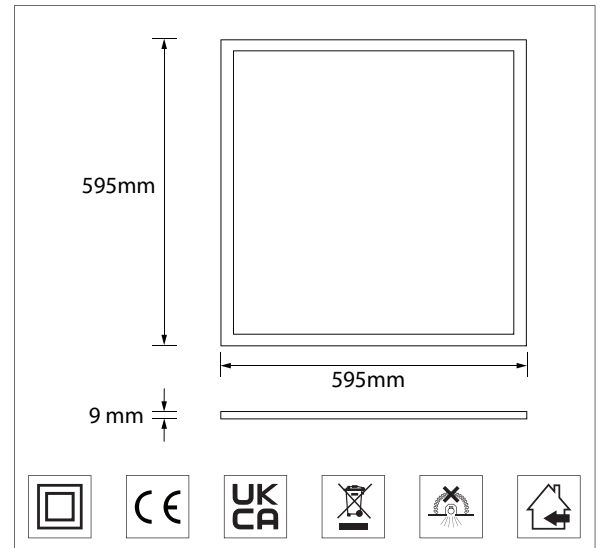


Eco designed	UGR <19 Low glare	Dimming DALI 2 Options
High efficacies lm/tcW	MacAdam 3 SDCM	Wireless Options
Long life	Warranty 5 years	Emergency Options

KEY FEATURES

- 600 x 600 edge-lit LED panel powered by Philips
- UGR <19 low glare for LG7 compliance
- Colour rendering >Ra80 for office applications
- 3 step MacAdam colour tolerance (3SDCM)
- Life >50,000 hours L80/B10
- DALI, dimming, wireless control and emergency options
- Bespoke image panels available for individual or groups of luminaires
- Surface mounted, plasterboard and suspended options
- 5 year warranty

DIMENSIONS

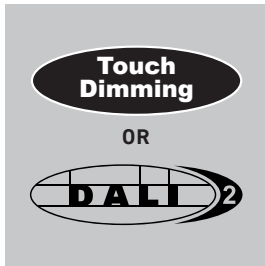


ORDERING INFORMATION

Luminaire output (lm)	Colour	Luminaire power (tcW)	Luminaire efficacy (lm/tcW)	Model ref.
3400	830	29.0	117.2	BJ001
3050	840	27.5	110.9	BJ002
4050	830	35.0	115.7	BJ003
3625	840	34.0	106.6	BJ004
4500	830	39.0	114.8	BJ005
3975	840	38.0	104.6	BJ006

OPTIONS

Options	Suffix
Control gear	/T+DALI, /MC, /BTC
Emergency	/EM, /EMS, /EMP
Surface mounting kit	SURF.178
Plasterboard mounting kit	PBF.178
Suspension kit	SUS178/1.2M
Product Variations available	PV.



/T+DALI
Touch dimming or
DALI driver



/MC
Philips MasterConnect
wireless control driver



/BTC
Casambi wireless
control driver



/EM
3hr emergency



/EMS
3hr self-test emergency



/EMP
3hr DALI emergency

Accessories



SURF.18
Surface
mounting kit



PBF.178
Plasterboard
mounting kit



SUS178/1.2M
Suspension kit



BTWS001
Wireless Casambi
single wall switch



BTWS002
Wireless Casambi
twin wall switch



Freestyle - BJ

PV Product Variations



Membership No 1835



PV - Contact Sales

Plug & Play
Choice of connectors



PV - Contact Sales

Illuminated image panels
Contact Sales



PV - Contact Sales

Illuminated image panels
Contact Sales



PV - Contact Sales

Illuminated graphics panels
Contact Sales

Thornhill Road Business Park
Tenter Fields, Dewsbury
West Yorkshire
WF12 9QT
+44 (0)1924 482777
www.gamma-uk.com



Please note: Specification values may change due to rapid development of lighting technology. All performance data is taken at an ambient temperature of +25°C. Data may be rounded up/down for illustrative purposes. Tolerance range of optical and electrical data is +/-10%. We reserve the right to amend or change details without prior notification. E&OE.