

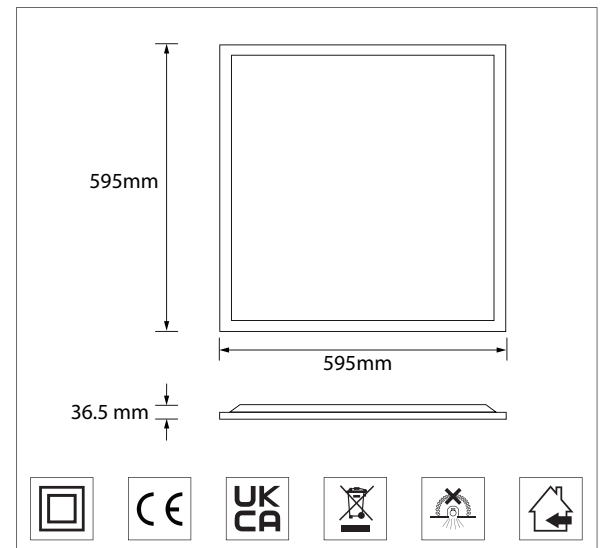


Eco designed	UGR <19 Low glare	Sensor Options
High efficacies 112lm/tcW	TP(a) Diffuser	Wireless Options
Long life 50k L90/B10	Warranty 5 years	Emergency Options

KEY FEATURES

- Back lit 600 x 600 panel powered by Philips
- ETL compliant efficiencies of over 125 lm/tcW
- 3 step MacAdam colour tolerance (3SDCM)
- Self-extinguishing TP(a) diffuser
- UGR <19 low glare for LG7 compliance
- Colour rendering >Ra80 for office applications
- Long life of >50,000 hours L90/B10
- Wireless, DALI, sensor control and emergency options
- 5 year warranty

DIMENSIONS

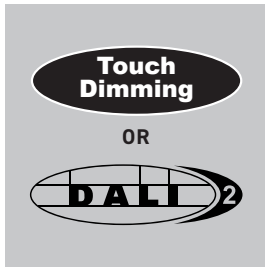


ORDERING INFORMATION

Luminaire output (lm)	Colour temp	Luminaire power (tcW)	Luminaire efficacy (lm/tcW)	Model ref.
2425	830	19.0	127.6	AH001
2575	840	19.0	135.5	AH002
3100	830	24.5	126.5	AH003
3300	840	24.5	134.7	AH004
3975	830	32.0	124.2	AH005
4200	840	32.0	131.3	AH006

OPTIONS

Options	Suffix
Control gear	/T+DALI, /MC, /BTC
Module	/R9
Emergency	/EM, /EMS, /EMP
Sensor	/MCIS, /MCSNR
Surface mounting kit	SURF.18
Plasterboard mounting kit	PBF.178
Product Variations available	PV.



/T+DALI
Touch dimming or
DALI driver



/MC
Philips MasterConnect
wireless control driver



/BTC
Casambi wireless
control driver



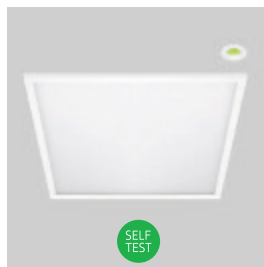
/R9
Ra90 High colour
rendering LED module



/MCIS
Integral Philips
MasterConnect sensor



/EM
3hr emergency



/EMS
3hr self-test emergency



/EMP
3hr DALI emergency

Accessories



SURF.18
Surface mounting
kit



PBF.178
Plasterboard mounting
kit



MCSNR
Remote Philips
MasterConnect sensor



BTWS001
Wireless Casambi
single wall switch



BTWS002
Wireless Casambi
twin wall switch



Oslo - AH

PV Product Variations



Membership No 1835



PV - Contact Sales

Plug & Play
Choice of connectors



PV -Pixels

Illuminated image panels
Contact Sales



PV -Masks

Illuminated image panels
Contact Sales



PV -Logos

Illuminated graphics panels
Contact Sales

Thornhill Road Business Park
Tenter Fields, Dewsbury
West Yorkshire
WF12 9QT
+44 (0)1924 482777
www.gamma-uk.com



Please note: Specification values may change due to rapid development of lighting technology. All performance data is taken at an ambient temperature of +25°C. Data may be rounded up/down for illustrative purposes. Tolerance range of optical and electrical data is +/-10%. We reserve the right to amend or change details without prior notification. E&OE.