



# Freestyle - AGH Data Sheet

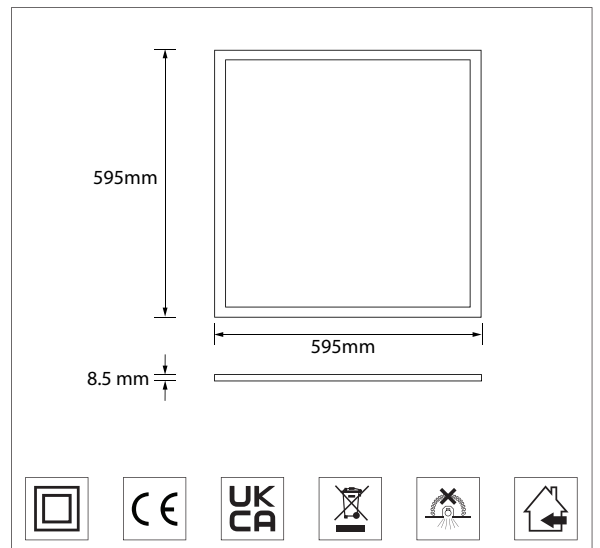


Eco designed	UGR <19 Low glare	Driver 100k hours option
High efficacies 119 lm/tcW	CRI >80 colour rendering	Wireless Options
Long life 50k L70/F10	Warranty 5 years	TP(a) Option

## KEY FEATURES

- 600 x 600 edge lit panel powered by Tridonic
- Colour rendering >Ra80 for office applications
- UGR <19 low glare versions for LG7 compliance
- High efficiencies of up to 119 lm/tcW
- Long life of >50,000 hours L70/F10
- 100,000 hour driver options
- Self-extinguishing TP(a) diffuser option
- Wireless, DALI and emergency versions
- 5 year warranty

## DIMENSIONS

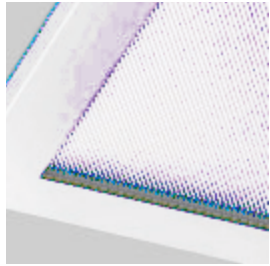


## ORDERING INFORMATION

Luminaire output (lm)	Colour temp	Luminaire power (tcW)	Light source efficacy (lm/W)	Luminaire efficacy (lm/tcW)	Model ref.
2700	830	26.5	113.2	100.7	<b>AGH001</b>
3100	840	26.0	134.0	119.2	<b>AGH002</b>
3600	830	36.5	108.7	98.2	<b>AGH003</b>
3900	840	34.5	124.6	112.6	<b>AGH004</b>

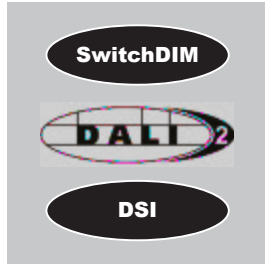
## OPTIONS

Options	Suffix
Diffuser	/TPA
Control gear	/ECO, /TOP, /BTC
Emergency	/EM, /EMD, /ECO/EMD
Surface mounting kit	<b>SURF.178</b>
Suspension kit	<b>SUS.178/1.2M</b>
Plasterboard mounting kit	<b>PBF.178</b>
Product Variations available	<b>PV.</b>



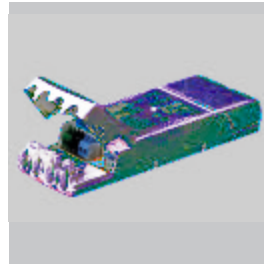
**/TPA**

Self-extinguishing  
TP(a) diffuser



**/ECO**

SwitchDIM, DALI or DSI  
dimming



**/TOP**

Tridonic Excite driver  
100,000hrs



**/BTC**

Casambi Bluetooth  
wireless network inc. dim



**/EM**

3hr emergency



**/EMD**

3hr DALI emergency



**/ECO/EMD**

DALI dimming driver  
& separate  
3hr DALI EM pack



**SURF.178**

Surface mounting  
kit



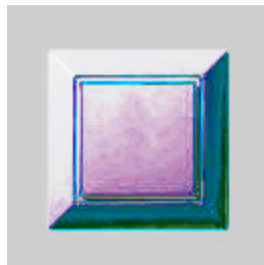
**PBF.178**

Plasterboard mounting  
kit



**SUS.178.1.2M**

Wire suspension  
kit



**BTWS001**

Wireless Casambi  
single wall switch



**BTWS002**

Wireless Casambi  
twin wall switch



# Freestyle - AGH PV Product Variations



Membership No 1835



### PV - Contact Sales

Choice of connectors



### PV - Contact Sales

Illuminated image panels  
Contact Sales



### PV - Contact Sales

Tunable white for HCL  
Contact Sales

Thornhill Road Business Park  
Tenter Fields, Dewsbury  
West Yorkshire  
WF12 9QT  
+44 (0)1924 482777  
www.gamma-uk.com



Please note: Specification values may change due to rapid development of lighting technology. All performance data is taken at an ambient temperature of +25°C. Data may be rounded up/down for illustrative purposes. Tolerance range of optical and electrical data is +/-10%. We reserve the right to amend or change details without prior notification. E&OE.