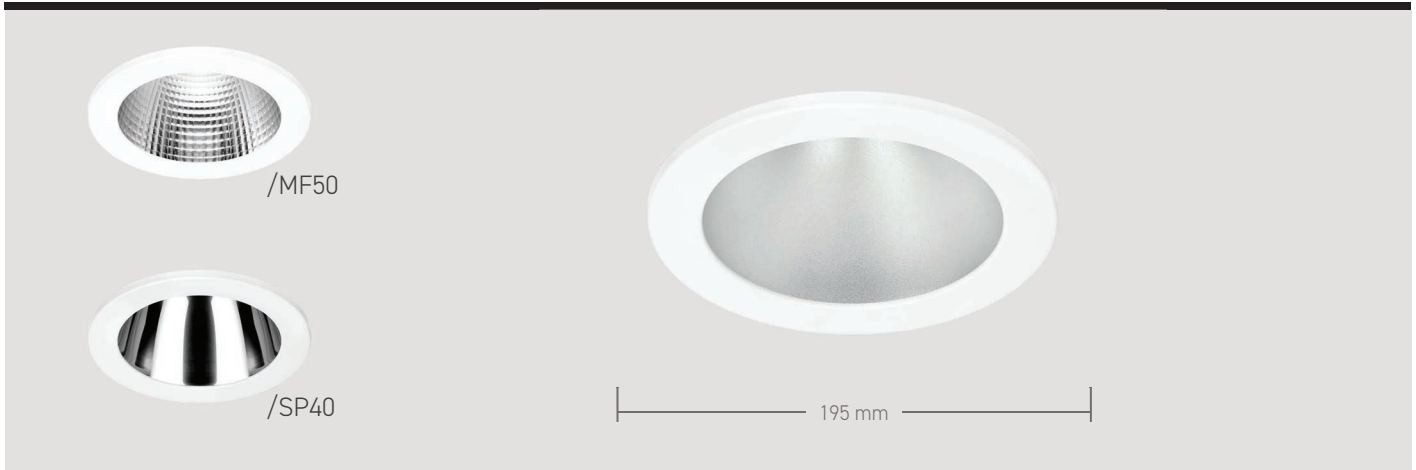


# SYSION - AAJ

## DATASHEET

TRIDONIC  
TECHNOLOGY  
INSIDE

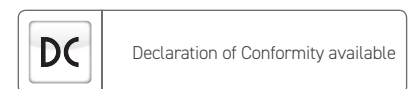
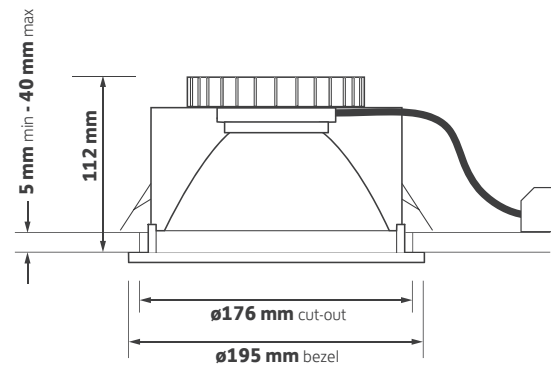
GAMMA  
ILLUMINATION



## Key Features

- Professional LED downlight
- Tridonic Advance LED and driver combination
- Part L and ETL compliant efficacies
- Low glare UGR <19 for LG7 compliance
- Lumen maintenance L80 / F10 @ 50,000 hours
- 60° satin etch reflector as standard
- Tunable white version, HCL variant
- 5 year warranty

## Technical Drawing



## Ordering Information

Luminaire Output (lm)	Power (tcW)	Colour	Model Ref.
1150	11.0	830	<b>AAJ2001</b>
1075	10.0	840	<b>AAJ2003</b>
1900	19.5	830	<b>AAJ2002</b>
1875	18.0	840	<b>AAJ2004</b>
2700	26.5	830	<b>AAJ3002</b>
2825	26.5	840	<b>AAJ3004</b>
1725	17.5	927 - 965	<b>AAJ2000/TUNE</b>

## Options

Please select from the options below.

TA300 bezel accessory	<b>/WH /BWH /BL / GY</b>
50° Multifaceted reflector	<b>/MF50</b>
40° Specular reflector	<b>/SP40</b>
IP65 bezel option	<b>/65</b>
SwitchDIM, DALI or DSI	<b>/ECO</b>
Casambi Bluetooth wireless network	<b>/BTC</b>
EM conversion	<b>/EM</b>
DALI and Self-test EM conversion	<b>/EMD</b>
EM conversion (integral indicator)	<b>/EMI</b>
DALI & Self-test EM (integral indicator)	<b>/EMDI</b>

Emergency options not available on tunable white version

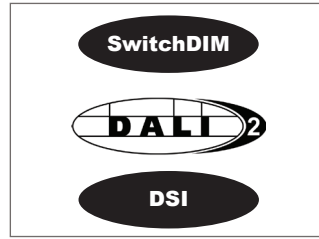
## Options



**/MF50**  
50° Multifaceted reflector



**/SP40**  
40° Specular reflector



**/ECO**  
SwitchDIM, DALI or DSI



**/EM**  
EM conversion



**/EMD**  
DALI and self-test EM conversion



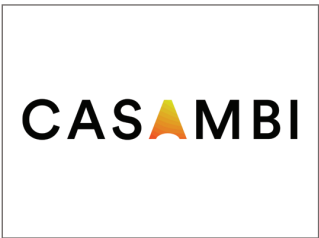
**/EMI**  
Integral indicator for EM conversion



**/EMDI**  
Integral indicator for DALI and self-test EM conversion



**LCP/XET**  
Lighting Control Panel / XE  
Touch for use with tunable white option



**/BTC**  
Casambi Bluetooth wireless network (inc dim)

## Bezel Options



**TA300/WH**  
White bezel - RAL9010



**TA300/BWH**  
Brilliant white bezel - RAL9016



**TA300/BL**  
Black bezel - RAL9005



**TA300/GY**  
Grey bezel - RAL9006



**AT300/WH, /BWH, /BL, /GY**  
White anti-tamper bezel



**GF208 / GF218**  
Anti-tamper driver / Anti-tamper bit



**TA301**  
White bezel complete with outer etched glass



**TA302**  
White bezel complete with clear glass



**TA303**  
White bezel complete with centre etched glass



**TA305**  
White bezel complete with clear halo glass



**TA306**  
White bezel complete with etched halo glass



**TA307**  
White bezel complete with fully etched glass



**/65**  
Universal bezel to accept IP65 accessories



**IP65/002/195**  
IP65 Clear glass

## Bezel Options (continued)



**IP65/008/195**  
IP65 Opal polycarbonate



**IP65/009/195**  
IP65 Clear polycarbonate



**GF008 / GF010**  
Anti-tamper driver / Anti-tamper bit  
for IP65 bezel

## Accessories



**PV Contact Sales**  
Black snoot RAL 9005



**TA310/FROST**  
Frosted snoot



**TA310/BLUE**  
Blue snoot



**HALOKIT.002**  
Halo kit - maximum cut-out 250 mm



**TA340**  
IP54 Clear glass



**TA341**  
IP54 Centre etched glass



**TA342**  
IP54 Full etched glass



**TA343**  
IP54 Clear polycarbonate



**TA344**  
IP54 Opal polycarbonate



**TA317**  
IP44 Prismatic lens



**TA384**  
Frosted hi-light



**TA385**  
Blue hi-light