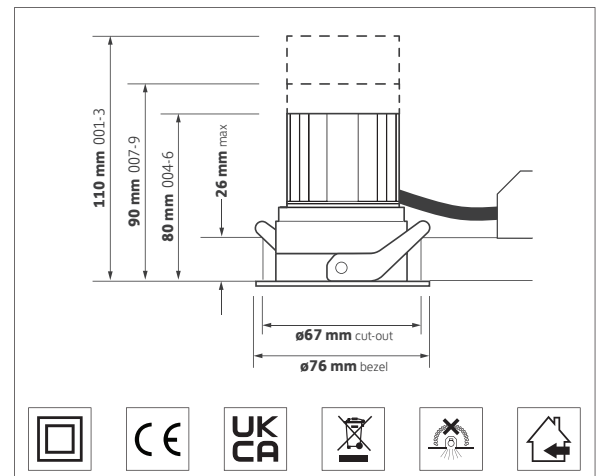


### KEY FEATURES

- Miniature architectural LED downlight
- Features low glare matt black baffle
- Tridonic SLA Essence LED light engine
- 36° LED lens as standard
- Lumen maintenance L70/B50 @ >50,000 h
- 3 step MacAdam ellipse (SDCM)
- Die-cast bezel finished in white RAL 9016
- DALI, wireless and emergency options
- 5 year warranty

### DIMENSIONS



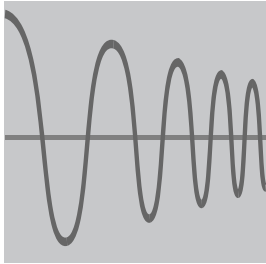
### ORDERING INFORMATION

Engine output (lm)	Colour temp	Luminaire power (tcW)	Engine efficacy (lm/tcW)	Model ref.
<b>Mains dimmable driver on board - DOB</b>				
725	927	9.5	76	<b>AGB001</b>
775	930	9.5	82	<b>AGB002</b>
825	940	9.5	87	<b>AGB003</b>
<b>SLA LED engine and driver</b>				
775	927	10.5	74	<b>AGB004</b>
850	930	10.5	81	<b>AGB005</b>
900	940	10.5	86	<b>AGB006</b>
1150	927	14.0	82	<b>AGB007</b>
1175	930	14.0	84	<b>AGB008</b>
1275	940	14.0	91	<b>AGB009</b>

### OPTIONS

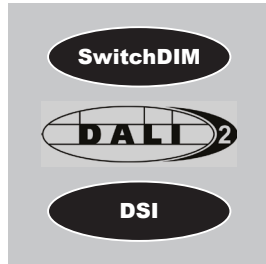
Options	Suffix
Control gear*	/MDIM, /ECO, /BTC
Emergency - Remote indicator*	/EM, /EMD, /EMM
Body type	/T, /BL, /BLT
Baffle colour	/WSB, /GB
Lens	/SNB, /NB
Accessory	/HC

\* Control gear and EM options not available with **AGB001 / 2 / 3**



**/MDIM**

Phase-cut mains dimming\*



**/ECO**

SwitchDIM / DALI / DSI\*



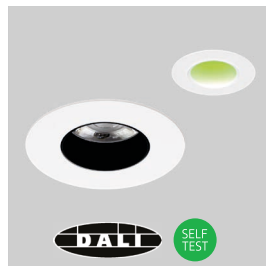
**/BTC**

Casambi wireless network inc. dimming\*



**/EM**

Emergency\* Remote indicator



**/EMD**

DALI / Self test EM\* Remote indicator



**/EMM**

Wireless mesh EM\* Remote indicator



**/T**

Tilt



**/BL**

Black RAL 9005



**/BLT**

Black RAL 9005 - Tilt



**/WSB**

White softlight baffle



**/GB**

Gold baffle



**/SNB**

12° lens (not available with **AGB004 / 005 / 006**)



**/NB**

20° lens



**/HC**

Honeycomb louvre

\* Control gear and EM options not available with **AGB001 / 2 / 3**



# Note - AGB

## Options and accessories



Membership No 1835

### RELATED PRODUCTS



**See Note AGA**  
Tridonic SLA



**See Note AGE**  
Tridonic SLE

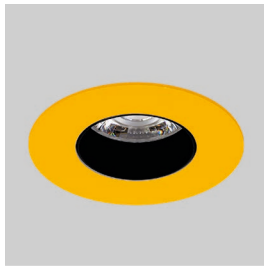


**See Note AGJ**  
Tridonic SLE

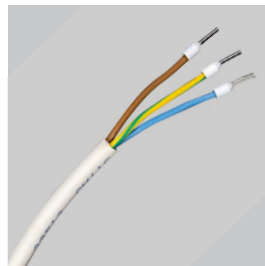
### PV - PRODUCT VARIATIONS



**PV - Contact Sales**  
Choice of connectors



**PV - Contact Sales**  
Any RAL colour bezel



**PV - Contact Sales**  
LSOH / LSF cable

Thornhill Road Business Park  
Tenter Fields, Dewsbury  
West Yorkshire  
WF12 9QT  
+44 (0)1924 482777  
www.gamma-uk.com



Please note: Specification values may change due to rapid development of lighting technology. All performance data is taken at an ambient temperature of +25°C. Data may be rounded up/down for illustrative purposes. We reserve the right to amend or change details without prior notification. E&OE.