

INSTALLATION GUIDE:

LED SURFACE CAN
990.0237.01



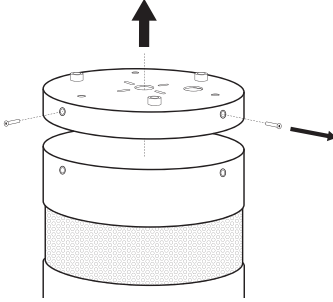
Compatible with 20 mm BESA box

IMPORTANT:

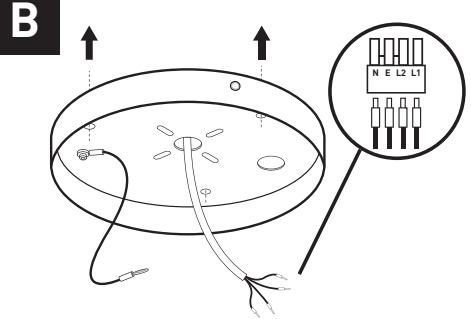
The luminaire must not be covered by any debris or insulating material. Electrical termination must be carried out by a qualified electrician in accordance with the latest edition of IEE wiring regulations BS7671.

PLEASE RETAIN THIS GUIDE FOR FUTURE REFERENCE AND RECYCLE PACKAGING.

A ISOLATE MAINS SUPPLY BEFORE COMMENCING INSTALLATION



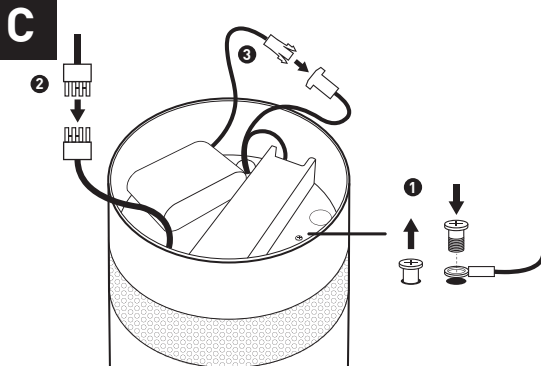
- Remove the three screws and then the lid.



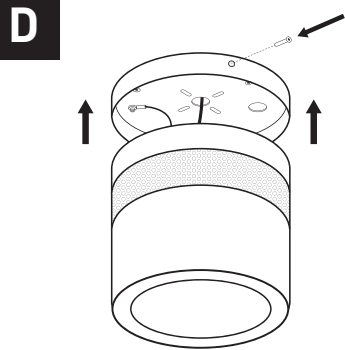
- Mount the base securely and connect mains supply to the plug supplied (see table).
- Fit cover to plug.

Luminaire Type

Plug Connection	Fixed Output & Mains DIM	Touch DIM	DALI
L1	Switched Live	Permanent Live	Permanent Live
L2 (EM only)	Permanent Live	Permanent Live	Permanent Live
E	Earth	Earth	Earth
N	Neutral	Neutral	Neutral
Flying Lead			
Red Core	N/A	Switched Live (Push to make retractive switch)	DALI Bus
White Core	N/A	Neutral	DALI Bus



- 1 Remove screw and attach wire tether using same screw.
- 2 Connect mains plugs together.
- 3 Connect battery plugs together if an un-switched supply can be guaranteed (emergency only).



- Realign can to base and refit three screws.
- Check luminaire is secure.



REINSTATE MAINS SUPPLY