

# INSTALLATION GUIDE:


LED PENDANT  
990.0263.01

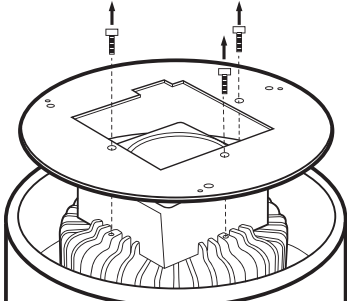


## IMPORTANT:

The luminaire must not be covered by any debris or insulating material. Electrical termination must be carried out by a qualified electrician in accordance with the latest edition of IEE wiring regulations BS7671.

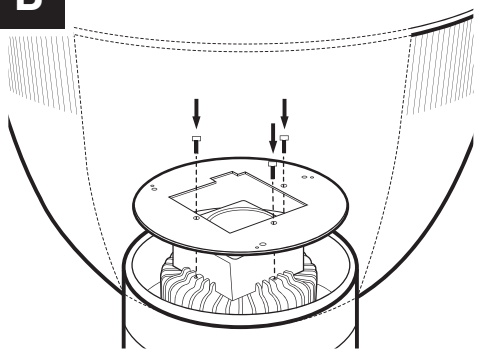
**NOTE: THE LED MODULES IN THIS LUMINAIRE ARE NON-USER REPLACEABLE. PLEASE RETAIN THIS GUIDE FOR FUTURE REFERENCE AND RECYCLE PACKAGING.**

**A**  **ISOLATE MAINS SUPPLY BEFORE COMMENCING INSTALLATION**



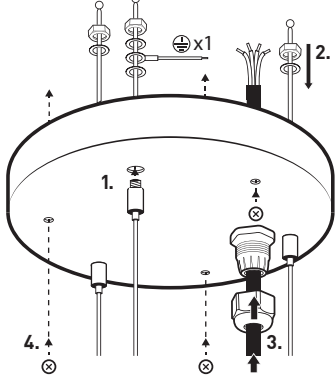
- Remove the three screws to lift off the pendant plate.

**B**



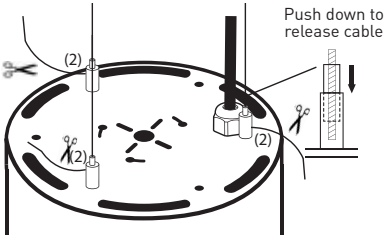
- Fit refractor and re-attach pendant plate with screws.

**C**



- Secure the three clutches into the large holes with nut and washer **(1)**.
- Feed a suspension wire through each clutch, **(2) x 6**. Fit earth tag to one of these as shown.
- Feed mains cable through gland, do not fully tighten at this stage. **(3)**.

**D**



- Measure three suspension wires and mains cable to required length and carefully trim.

**F**

- Adjust clutches to level the luminaire.
- Tighten cable glands.

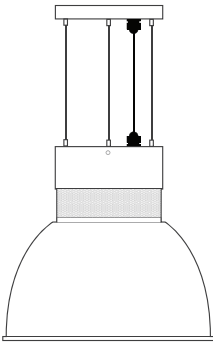



Image not to scale

**E**



- Connect luminaire to mains supply
- For five core Touch & Dim or DALI wiring see separate instruction leaflets
- Secure ceiling plate to desired location using suitable fixings (not supplied) **(4)**.

 **REINSTATE MAINS SUPPLY**