

# INSTALLATION GUIDE:

MODULAR  
990.0379.01



## IMPORTANT:

The luminaire must not be covered by any debris or insulating material. Ensure there is a minimum of 50 mm airspace around the luminaire and control gear. Electrical termination must be carried out by a qualified electrician in accordance with the latest edition of IEE wiring regulations BS7671.

**NOTE: THE LED MODULES IN THIS LUMINAIRE ARE NON-USER REPLACEABLE.**

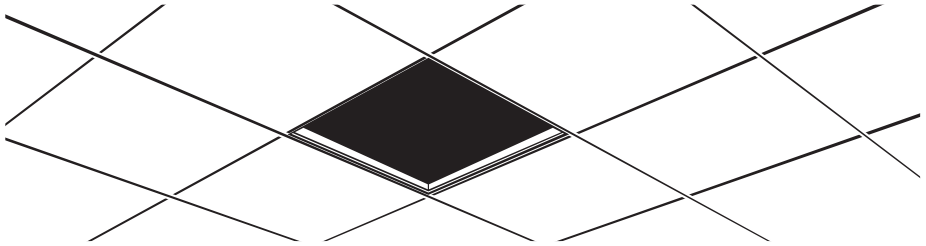
**PLEASE RETAIN THIS GUIDE FOR FUTURE REFERENCE AND RECYCLE PACKAGING.**

### A



**ISOLATE MAINS SUPPLY BEFORE COMMENCING INSTALLATION**

**PLEASE NOTE LUMINAIRE STYLE MAY VARY.**



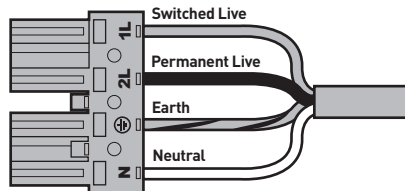
**IMPORTANT: Check ceiling grid has sufficient load-bearing capabilities to support the luminaire.**

- Remove ceiling tile in desired location.

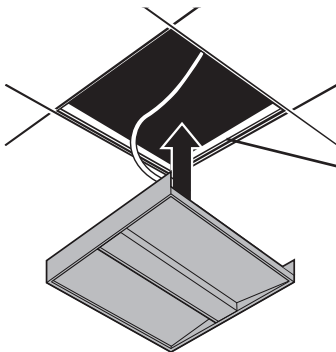
### B

- Unscrew the terminal cover on the driver / connector.
- Observe the terminal markings on the driver / connector.
- Connect mains supply to appropriate terminals.
- For T+DALI dimming, see separate installation guides.
- Secure cover / cable grip.

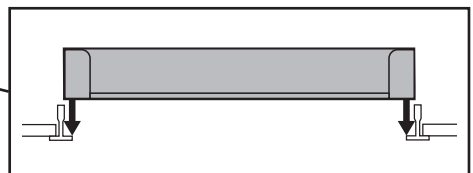
**Emergency**



### C



- Insert luminaire into the ceiling void and lower into place on the lip of the ceiling grid ensuring it's secure.



**REINSTATE MAINS SUPPLY**