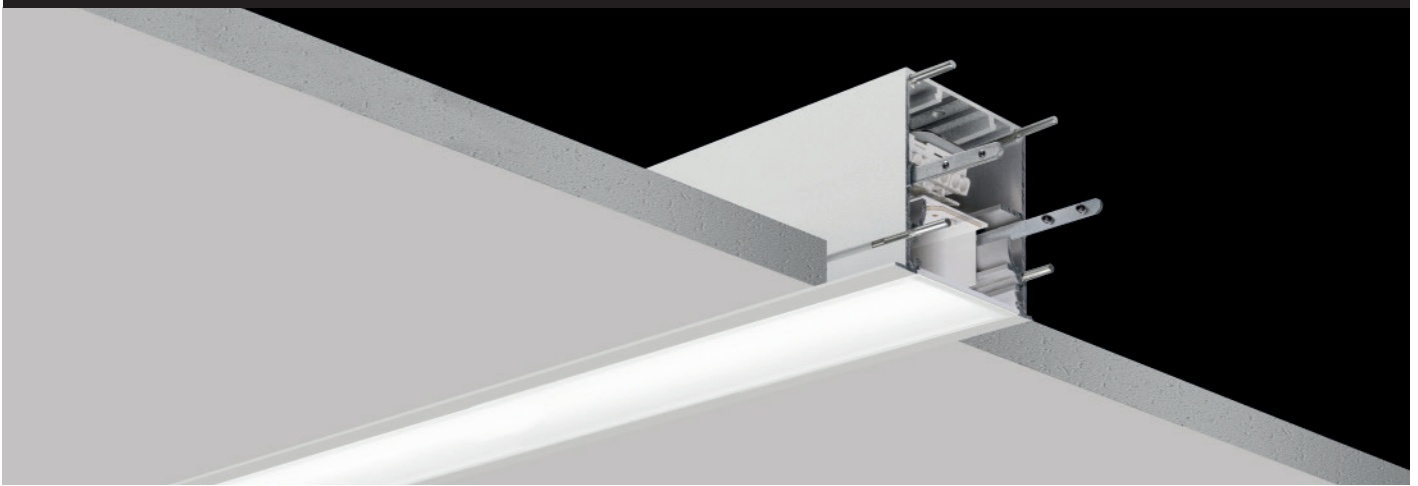




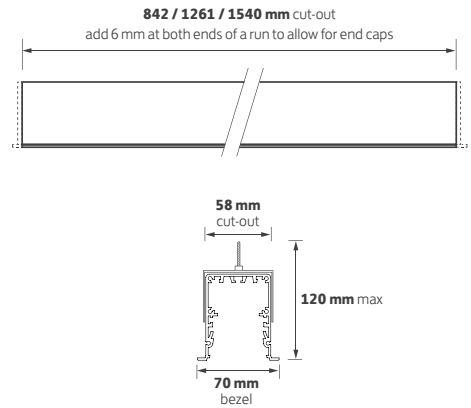
# DATASHEET



## Key Features

- Recessed, continuous extruded linear profile system
- Through wiring in all lengths
- Tridonic LED and driver combinations
- TP(a) elegant opal lens for general areas as standard
- Low glare prismatic lens available to aid LG7 compliance
- Lumen maintenance L80/F10 @ >72,000 hours
- Excellent efficacies of up to 127 llm/tcW
- Available in 3 standard 'building block' lengths
- Manufactured, tested and validated in the U.K.

## Technical Drawing



## Ordering Information

| Length | Colour | Luminaire output (llm) |  | Model Ref. | Luminaire output (llm) |      |
|--------|--------|------------------------|--|------------|------------------------|------|
|        |        | Std                    |  |            | /LO                    | /HO  |
| 850 mm | 830    | 1725                   |  |            | 1175                   | 2725 |
| 850 mm | 840    | 1825                   |  |            | 1225                   | 2875 |
| 1.2 m  | 830    | 2575                   |  |            | 1750                   | 4100 |
| 1.2 m  | 840    | 2725                   |  |            | 1850                   | 4300 |
| 1.5 m  | 830    | 3150                   |  |            | 2150                   | 5000 |
| 1.5 m  | 840    | 3325                   |  |            | 2250                   | 5250 |

## Options

Please select from the options below.

|   |              |
|---|--------------|
| Pair of end caps accessories                | <b>SECAP</b> |
| 1 x joining / through wire accessory kit    | <b>JKIT</b>  |
| Low glare prismatic lens for LG7 compliance | <b>/LG</b>   |
| SwitchDIM, DALI or DSI                      | <b>/ECO</b>  |
| EM conversion (not AHC001 / AHC002)         | <b>/EMI</b>  |

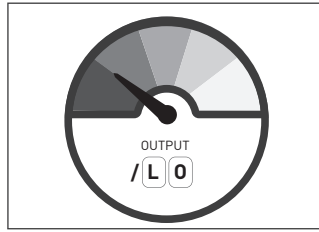


## OPTIONS AND ACCESSORIES

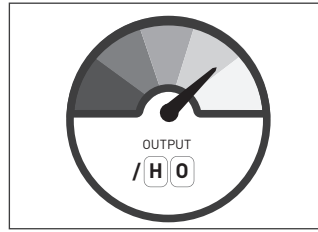
### Options



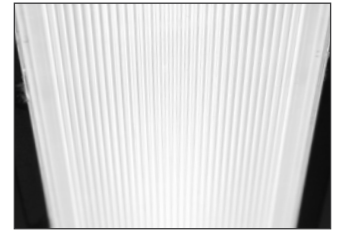
**SECAP**  
Pair of end caps



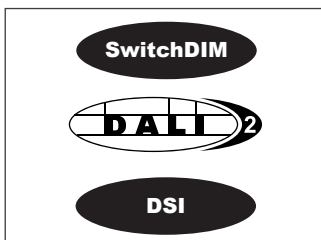
**/LO**  
Lower output



**/HO**  
Higher output



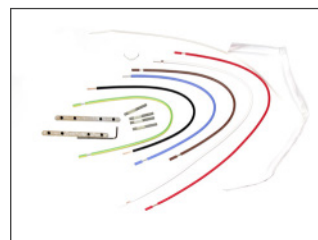
**/LG**  
Low glare prismatic lens



**/ECO**  
SwitchDIM, DALI or DSI



**/EMI**  
EM conversion



**JKIT**  
Joining / through wiring kit



**PT001**  
Diffuser removal tool