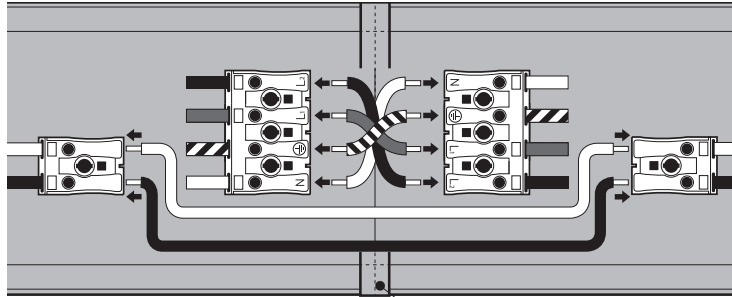


J

- Use supplied mains wires to link terminal blocks at each side of the luminaire ensuring polarity is maintained.
- Cover all middle joins on the inner side of the luminaire with light leakage tape (supplied).



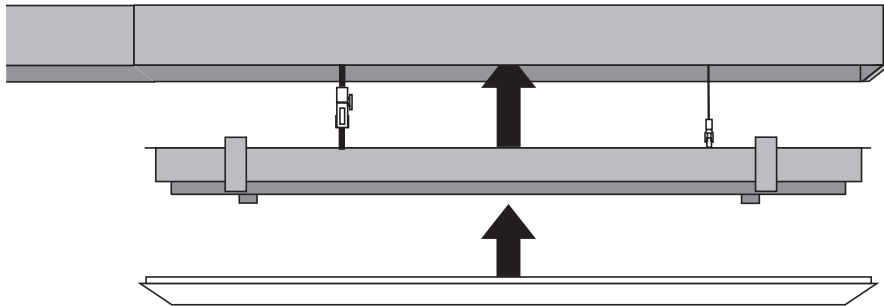
Light leakage tape

**INTERNAL WIRING 1.5 mm² CSA. DO NOT EXCEED CURRENT LIMITS.****K**

- Repeat steps **A** to **J** until run is complete.
- Use a section with an end cap fitted to finish the run.
- Tighten all ceiling fixings.
- If the run is suspended, please fit blanking bungs into unused cable entry holes on the back of each section.

L

- For each luminaire in turn, offer up the LED tray and reconnect the driver connectors and the earth spade.
- Push the LED tray into the body ensuring the clips are correctly aligned and secure and no wires are trapped.
- Push the diffusers back into the luminaire until secure.



- To prevent light spill gaps on longer runs, an additional length of diffuser is supplied with the end sections.
- If required, fit before the final diffuser, which should be trimmed using appropriate cutting equipment before fitting.

**REINSTATE MAINS SUPPLY**

We reserve the right to amend any product specification without prior notice. Any alterations made to the luminaire may affect life and light output and invalidate any warranty. Luminaire complies with all safety standards set out in BS EN 60598.

INSTALLATION GUIDE:

EXTRUDED DIRECT LINEAR
SURFACE MOUNTED CONTINUOUS
990.0362.01



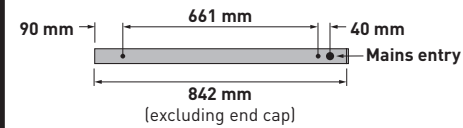
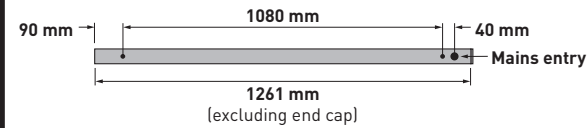
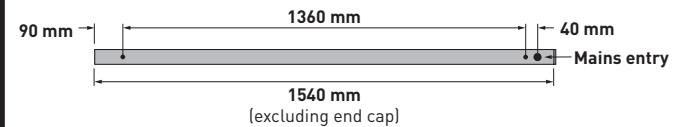
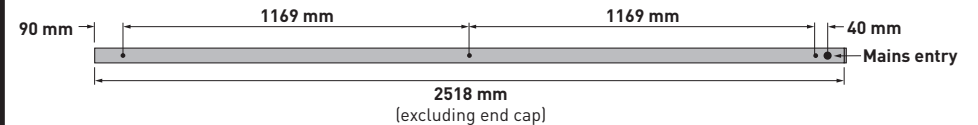
IMPORTANT:
Electrical termination must be carried out by a qualified electrician in accordance with the latest edition of IEE wiring regulations BS7671.

Ensure the mounting surface is capable of supporting the weight of the luminaire

Please retain this guide for future reference and recycle packaging.

A**ISOLATE MAINS SUPPLY BEFORE COMMENCING INSTALLATION****IMPORTANT: DO NOT USE POWER TOOLS TO TIGHTEN FIXINGS ON THIS LUMINAIRE**

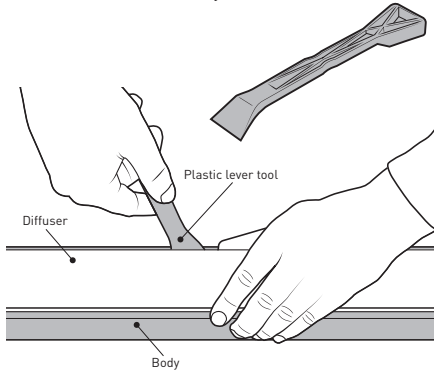
- Ensure the mounting surface is flat and even.
- If suspended refer to installation guide 990.0372.01 for additional information.
- Mark out positions of fixing holes on ceiling, depending upon length of luminaire.
- The run must be started and ended with a luminaire with an end cap.

0.85 m Length 2.5 kg**1.2 m Length 3.5 kg****1.5 m Length 4.3 kg****2.5 m Length 7.3 kg**

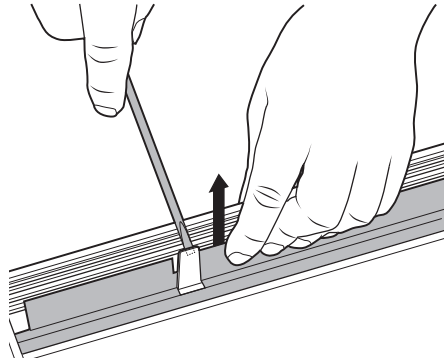
On emergency converted 2.5 m lengths, only the LED tray containing the charge indicator will illuminate in emergency mode

B

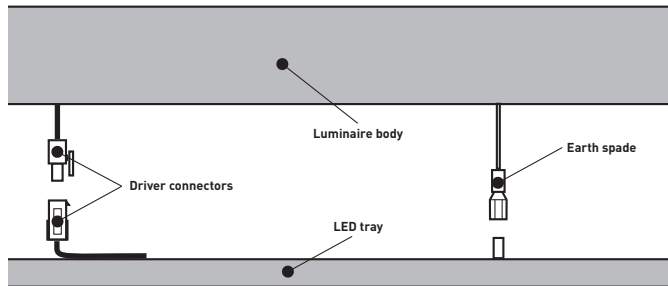
- Prise out the diffuser using a plastic lever tool (not supplied) or card, starting in the centre of the diffuser and working outwards.
- Please note: Do not use metal tools such as screwdrivers to do this as they may damage the diffuser / body.

**C**

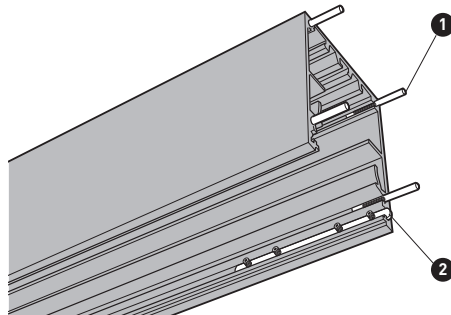
- Using a terminal driver, ease out the LED tray retaining clips, whilst pulling the tray up, one at a time and remove the LED tray as shown.
- Slide tray to one end and remove from extrusion.

**D**

- Disconnect the driver connectors and the earth spade to release the LED tray.

**E**

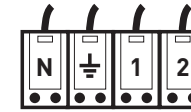
- Tap 4 x joint pins **1** into extrusion in the positions shown until the knurled section is below the end face.
- Slide 2 x fixing bars **2** into the extrusion in the positions shown. Do not tighten.

**F**

- Offer the luminaire body up to the ceiling and feed mains cable into it.
- Attach the luminaire body to the ceiling using suitable fixings (not supplied). Do not fully tighten.
- If suspended, see separate installation guide 990.0372.01 for suspension installation.

G

- At start of run, connect mains supply to terminal block.
- For switch dim, link D2 to N and connect D1 to mains supply via a push to make retractive switch.

STANDARD / EMERGENCY

- N** - NEUTRAL
- ⊥** - EARTH
- 1** - SWITCHED LIVE
- 2** - PERMANENT LIVE

DIMMING

- D1** - DALI +
- D2** - DALI -

H

- Repeat steps **A** to **E** for second luminaire.
- Slide second luminaire onto previous section.
- Attach second luminaire to ceiling - Do not fully tighten.

I

- Slide fixing bars across joint.
- Push luminaires firmly together and tighten grub screws with hex key (supplied).

