

INSTALLATION GUIDE:

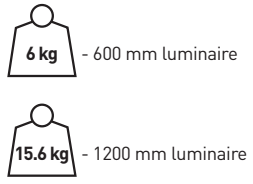
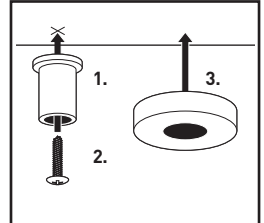
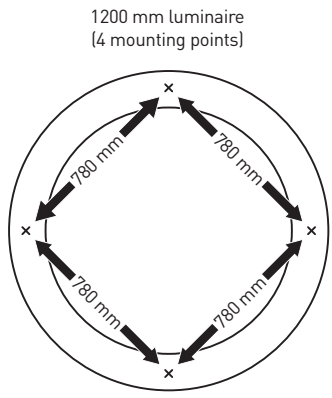
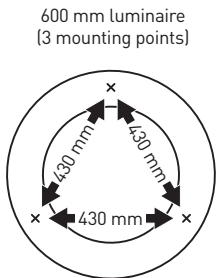
RING PENDANT
990.0342.01



IMPORTANT:
The luminaire must not be covered by any debris or insulating material. Ensure there is a minimum of 50 mm airspace around the luminaire. Electrical termination must be carried out by a qualified electrician in accordance with the latest edition of IEE wiring regulations BS7671.

PLEASE RETAIN THIS GUIDE FOR FUTURE REFERENCE AND RECYCLE PACKAGING.

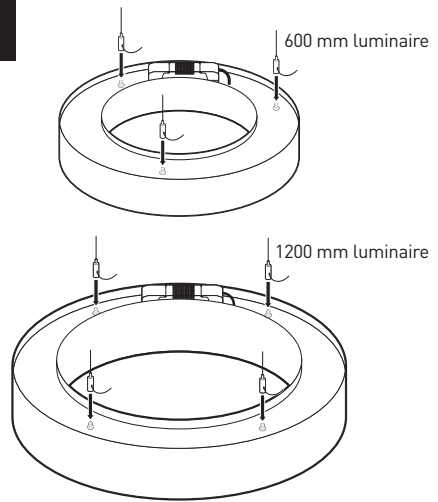
A **ISOLATE MAINS SUPPLY BEFORE COMMENCING INSTALLATION**



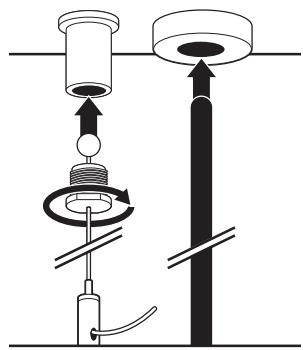
ENSURE MOUNTING SURFACE IS CAPABLE OF SUSPENDING THE WEIGHT OF THE LUMINAIRE

- Disassemble ceiling mounts (1), then attach to ceiling as indicated using suitable fixings (2) in desired location.
- Install ceiling rose using suitable fixings adjacent to a ceiling mount for power connection point (3).

B **C**



- Screw suspension clutches on to studs on the back of luminaire. Three suspension clutches for 600 mm luminaire or four for 1200 mm luminaire.



- Reassemble ceiling mounts.
- Raise luminaire to the desired height.
- Connect the luminaire to the mains supply using a terminal block (not supplied) compliant with the requirements of EN60998-2-1 or 2-2.

REINSTATE MAINS SUPPLY

We reserve the right to amend any product specification without prior notice. Any alterations made to the luminaire may affect life and light output and invalidate any warranty. Luminaire complies with all safety standards set out in BS EN 60598.