

INSTALLATION GUIDE:


LED TRACK SPOTLIGHT
990.0300.01

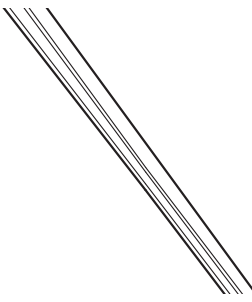


IMPORTANT:

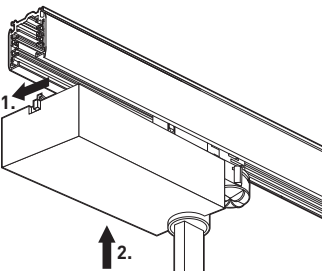
The luminaire must be mounted out of normal reach by a competent person and must not be covered by any debris or insulating material. Ensure there is a minimum of 50 mm airspace around the luminaire and control gear.

PLEASE RETAIN THIS GUIDE FOR FUTURE REFERENCE AND RECYCLE PACKAGING.

A  **ISOLATE MAINS SUPPLY TO TRACK BEFORE COMMENCING INSTALLATION**

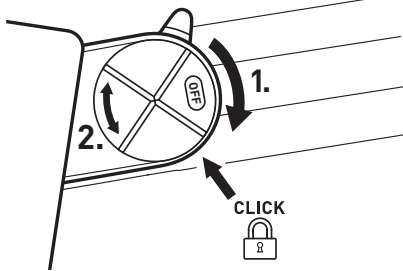


B



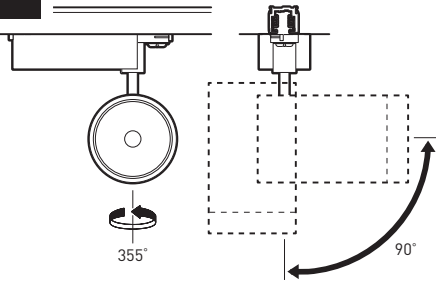
- Pull the lever back (1) then push the fitting into the track (2).
- Release the lever till secure. The spotlight can only be fitted one way; be sure to check polarity first and make sure the selected circuit dial is off.

C



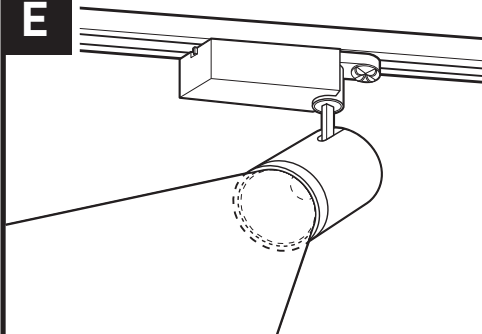
- Move fixing arm until you hear a click (1) to secure the fitting into the track.
- From off select the correct circuit dial: 1, 2 or 3 (2).

D



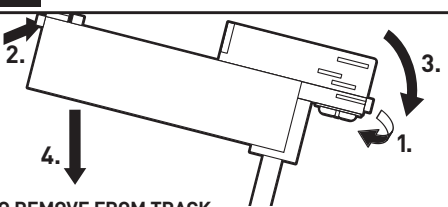
- Position spotlight in required location and to desired orientation.

E



F

TRACK



TO REMOVE FROM TRACK

- Isolate mains supply.
- Turn circuit dial to OFF and fully unlock fixing arm (1).
- Pull the lever back (2) and tilting down the fixing arm side first (3), carefully remove from the track (4).

 **REINSTATE MAINS SUPPLY**