

# INSTALLATION GUIDE:

PLASTER-IN LED DOWNLIGHT  
990.0276.01



## IMPORTANT:

The luminaire must not be covered by any debris or insulating material. Ensure there is a minimum of 50 mm airspace around the luminaire and control gear. Electrical termination must be carried out by a qualified electrician in accordance with the latest edition of IEE wiring regulations BS7671.

**NOTE: THE LED MODULES IN THIS LUMINAIRE ARE NON-USER REPLACEABLE.**

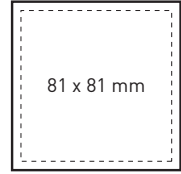
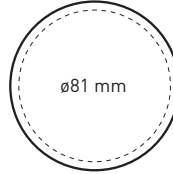
**PLEASE RETAIN THIS GUIDE FOR FUTURE REFERENCE AND RECYCLE PACKAGING.**

### A

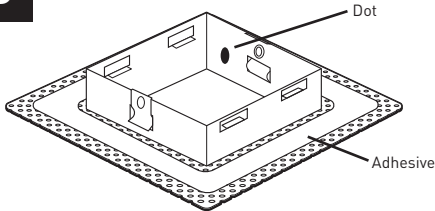


**ISOLATE MAINS SUPPLY BEFORE COMMENCING INSTALLATION**

- Round - cut an  $\varnothing 81$  mm circular hole at the desired location using a suitable holesaw.
- Square - cut an 81 mm by 81 mm square hole at the desired location.



### B

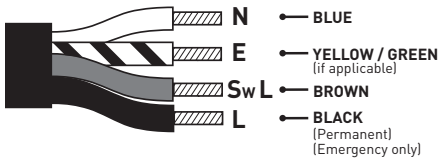


**IMPORTANT: When installing wall wash type luminaires, the plaster in frame must be installed with the dot facing the wall to be illuminated.**

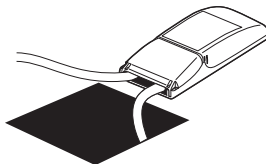
- 1 Apply a bead of quick drying grip adhesive (not supplied) to the rear face of the frame.
- 2 Locate into hole.
- 3 Secure frame into hole using suitable screws or nails (not supplied).
- 4 Once adhesive has cured, apply PVA bonding coat and plaster up to edge of frame.
- 5 Apply finish to ceiling and allow to dry.

### C

**IMPORTANT - Do not install the luminaire before plaster and paint is dry. Doing so may cause chemical degradation of the LED module and will invalidate the warranty.**

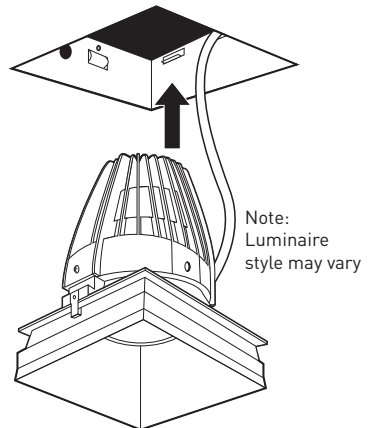


- Connect the luminaire to the mains supply using a terminal block (not supplied) compliant with the requirements of EN60998-2-1 or 2-2.
- For Switch Dim or DALI dimming wiring see instruction leaflet **990.0009.01**.
- Push the driver into the ceiling void, ensuring it is not covered by any debris or insulating material and is correctly positioned.



### D

**IMPORTANT - Align dot on luminaire to dot on frame before attempting to lock fitting in place. Failure to do so may damage the product.**



- Check the frame is clear of paint and plaster.
- Push the luminaire body into the frame.



**REINSTATE MAINS SUPPLY**