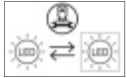


# Vapour-proof LED linear

## INSTALLATION GUIDE

990.0277.01 REV1 - 07/02/2024

### Important



The light source and control gear in this luminaire shall only be replaced by the original manufacturer, service agent or a similarly qualified person.



Please refer to product technical datasheet for light source energy class information.

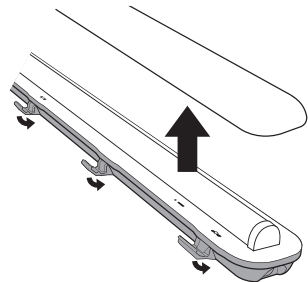
This luminaire has an ingress protection rating of **IP65** once installed.

**Please retain this guide for future reference and recycle packaging.**



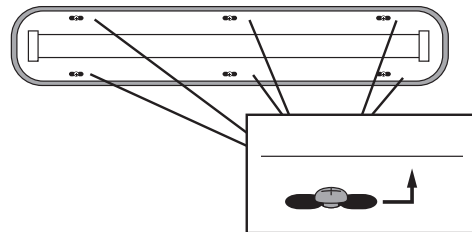
1

Isolate mains supply before commencing installation



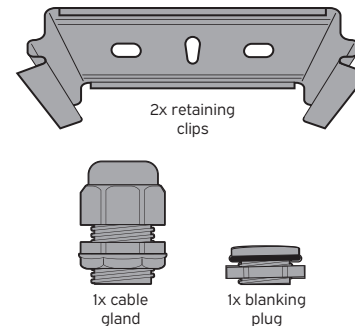
- Undo clips around luminaire and remove diffuser.

2



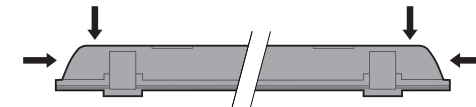
- Loosen fixing screws on top of gear tray and, using keyholes, slide out gear tray and store safely.

3



- Fixing pack will be located under gear tray.

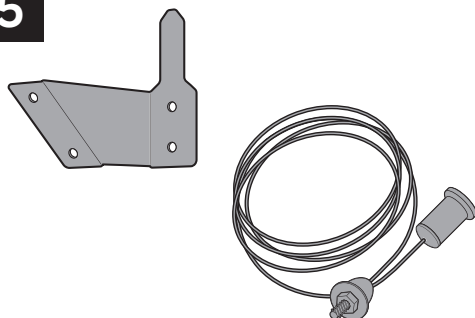
4



- Select cable entry / exit points. Drill out any blanked openings as required.
- To maintain IP rating use gland and blanking plug supplied (ø16 mm holes required) and tighten to 1.0 Nm torque.

**IMPORTANT: Separate gear tray and body before drilling.**

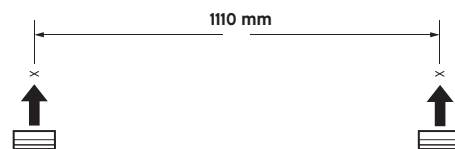
5



**IF USING AN OPTIONAL MOUNTING KIT PLEASE REFER TO ADDITIONAL INSTALLATION GUIDE SUPPLIED IN KIT.**

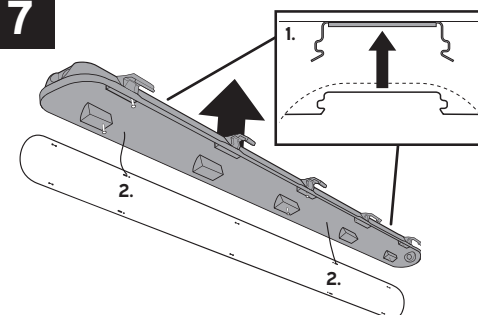
6

**ENSURE MOUNTING SURFACE IS FLAT, EVEN AND CAPABLE OF SUPPORTING WEIGHT OF LUMINAIRE**



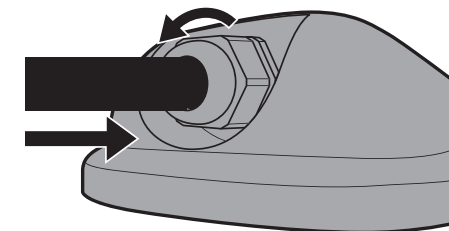
- Mark positions of required mounting points on mounting surface as shown.
- Fix retaining clips onto mounting surface.

7



- Locate and push back of luminaire into retaining clips until secure (1).
- Suspend gear tray using plastic tethers (2).

8

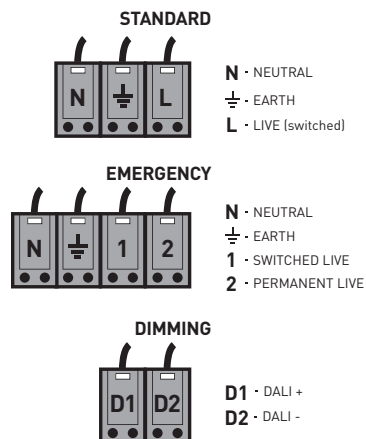


- Feed mains cable through cable gland until it reaches terminal block and tighten gland to torque of 0.9 Nm.

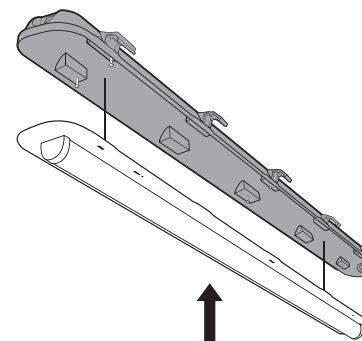
9

**Connect LED driver to mains supply**

- Installation must be performed by a qualified person in accordance with the latest edition of the IEE wiring regulations BS7671.
- For SwitchDIM, link D2 to N and connect D1 to mains via a push-to-make retractive switch.
- For variants fitted with DALI control gear, please refer to supplementary installation guide.

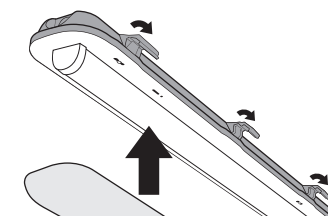


10



- Lift and slide gear tray back into place and tighten screws ensuring no wires are trapped.

11



- Clip diffuser back into place and secure all clips to maintain IP rating.

**IMPORTANT: If metal diffuser clips have been supplied as an accessory, please remove plastic clips and discard responsibly and replace with metal clips.**

Reinstate mains supply

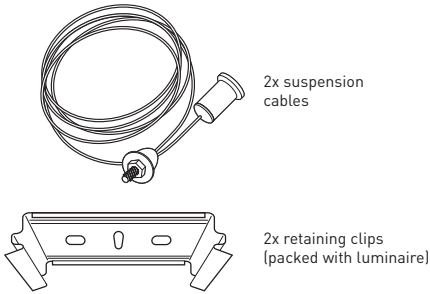


# INSTALLATION GUIDE:

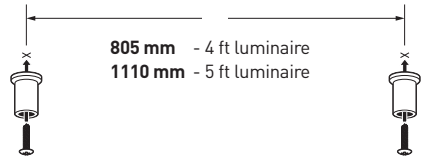
VAPOUR PROOF LINEAR SUSPENSION KIT  
990.0298.01

PLEASE RETAIN THIS GUIDE FOR FUTURE REFERENCE AND  
RECYCLE PACKAGING.

## F1 TO BE USED IN CONJUNCTION WITH GUIDE 990.0277.01

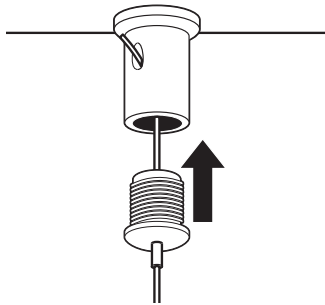


## F2 ENSURE MOUNTING SURFACE IS CAPABLE OF SUPPORTING WEIGHT OF LUMINAIRE



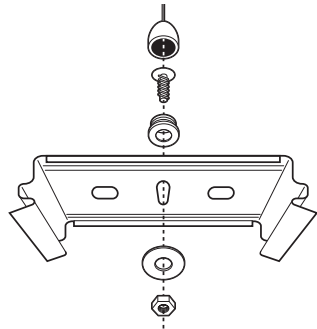
- Mark the positions of the required mounting points on the mounting surface as shown.
- Unscrew the ceiling mount cups and fix to the ceiling using suitable fixings.

## F3



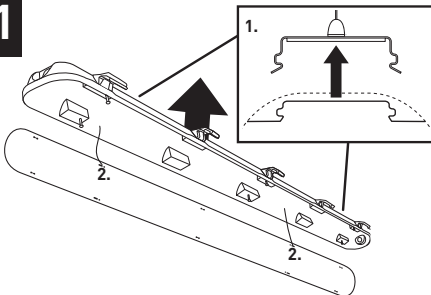
- Feed the suspension cable up through the exit hole in the ceiling cup and screw the lower section into the cup.

## F4



- Attach the retainer clips onto the hanging ends of the suspension cables and secure.

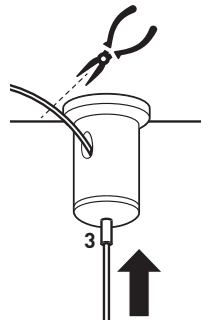
## G1



- Locate and push the back of the luminaire into the retaining clips until secure (1).
- Suspend the gear tray using the plastic tethers (2).

## G2

- Push the suspension cable up through the clutch (3) to the required length and trim off any excess.
- To adjust cable downward, first ensure that the weight of the luminaire is supported, then push the clutch (3) up to release the cable.



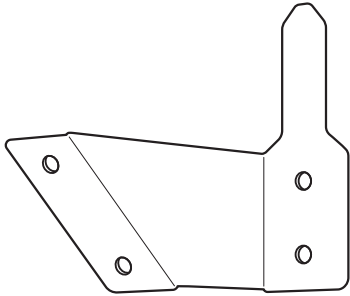
CONTINUE TO INSTALLATION GUIDE 990.0277.01  
SECTION H

# INSTALLATION GUIDE:

VAPOUR PROOF LINEAR CORNER MOUNT KIT  
990.0297.01

PLEASE RETAIN THIS GUIDE FOR FUTURE REFERENCE AND  
RECYCLE PACKAGING.

## F1 TO BE USED IN CONJUNCTION WITH GUIDE 990.0277.01



2x corner  
brackets



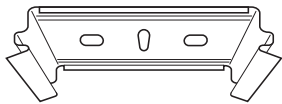
4x nuts



4x washers

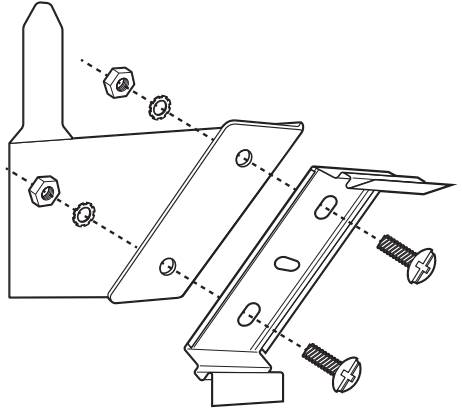


4x screws



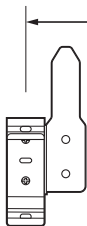
2x retaining clips  
(packed with luminaire)

## F2

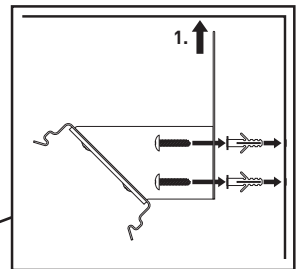


- Attach the retaining clips to the corner mount brackets, using the supplied screws, nuts and washers.

## F3 ENSURE MOUNTING SURFACE IS FLAT AND EVEN AND CAPABLE OF SUPPORTING WEIGHT OF LUMINAIRE



805 mm - 4 ft luminaire  
1110 mm - 5 ft luminaire



- Fix the corner mount brackets onto the wall using suitable fixings, ensuring they are aligned to the top of the ceiling (1).

CONTINUE TO INSTALLATION GUIDE 990.0277.01 SECTION G