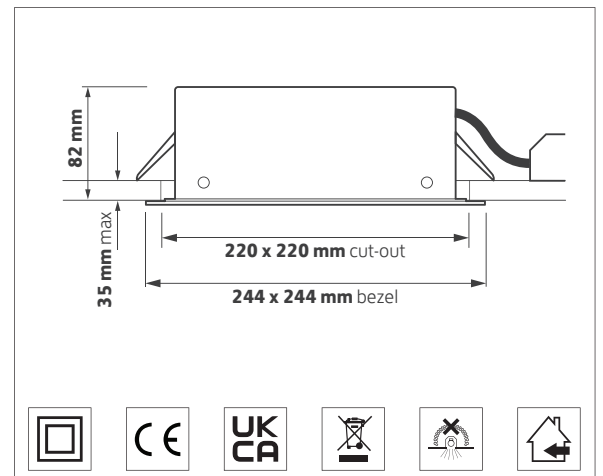


KEY FEATURES

- Back-lit IP54 LED light box
- Ultra-thin bezel for minimal visual impact
- High transmission acrylic diffuser
- Uniform light distribution
- Tridonic CLE module and driver system
- Finished in white RAL9010
- Height under 100 mm
- Emergency, DALI, dimming and wireless network control options
- Long life >72,000 hours @ L80 / F10
- 5 year warranty

DIMENSIONS



ORDERING INFORMATION

Luminaire output (l/m)	Colour temp	Luminaire power (tcW)	Light source efficacy (lm/W)	Luminaire efficacy (l/m/tcW)	Model ref.
700	830	7.0	205	100	ABE001
725	840	7.0	215	104	ABE002
1125	830	10.5	194	107	ABE003
1175	840	10.5	203	112	ABE004
1525	830	14.0	180	109	ABE005
1600	840	14.0	190	114	ABE006
2100	830	20.5	172	102	ABE007
2225	840	20.5	181	109	ABE008

OPTIONS

Options	Suffix
Control gear	/ECO, /BTC
Emergency - Remote indicator	/EM, /EMD, /EMM
Product variations available	PV.

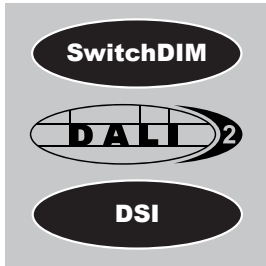


Titan - ABE

Options and accessories



Membership No 1835



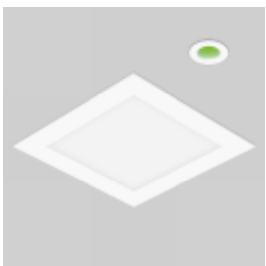
/ECO

SwitchDIM, DALI & DSI



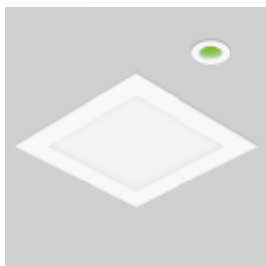
/BTC

Casambi wireless network
inc. dimming



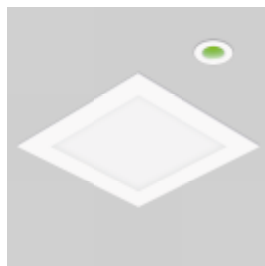
/EM

Emergency
Remote indicator



/EMD

DALI / Self test EM
Remote indicator



/EMM

Wireless mesh EM
Remote indicator

PV - PRODUCT VARIATIONS



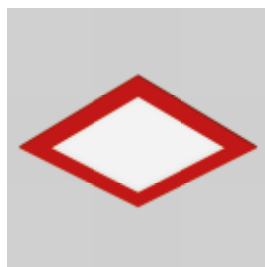
PV - Contact Sales

Choice of connectors



PV - Contact Sales

LSOH / LSF cable



PV - Contact Sales

Any RAL colour

Thornhill Road Business Park
Tenter Fields, Dewsbury
West Yorkshire
WF12 9QT
+44 (0)1924 482777
www.gamma-uk.com



Please note: Specification values may change due to rapid development of lighting technology. All performance data is taken at an ambient temperature of +25°C.
Data may be rounded up/down for illustrative purposes. We reserve the right to amend or change details without prior notification. E&OE.