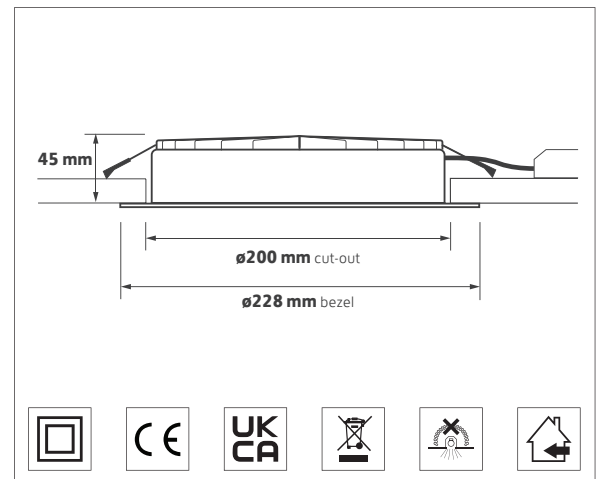


### KEY FEATURES

- Professional IP54 commercial downlight
- Recessed opal PC diffuser
- SMD LED powered by Tridonic
- Bezel finished in RAL 9016 white
- Switchable 3 x CCT - 830 / 840 / 856
- Long life 50,000 h L70
- Emergency, DALI, dimming and wireless network control options
- 5 year warranty

### DIMENSIONS



### ORDERING INFORMATION

Luminaire output (lm)	Colour temp (switchable)	Luminaire power (tcW)	Light source efficacy (lm/W)	Luminaire efficacy (lm/tcW)	Model ref.
1625	830	13.5	172	120	CI001
1625	840	13.0	172	125	
1475	856	13.5	154	109	
2250	830	19.0	160	118	CI002
2275	840	18.5	163	123	
2025	856	19.5	144	107	
2625	830	23.0	152	114	CI003
2700	840	22.0	157	123	
2350	856	23.0	137	102	
3325	830	31.5	142	106	CI004
3500	840	30.0	149	117	
3025	856	31.5	130	96	

### OPTIONS

Options	Suffix
Control gear	/MDIM, /ECO, /BTC
Emergency - Remote indicator	/EM, /EMD

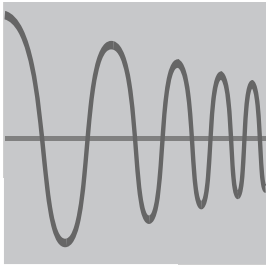


# Aspen - CI

## Options and accessories

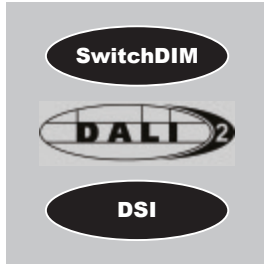


Membership No 1835



**/MDIM**

Phase-cut mains dimming



**/ECO**

SwitchDim / DALI / DSI



**/BTC**

Casambi wireless network inc. dimming



**/EM**

Emergency Remote indicator



**/EMD**

DALI / Self test EM Remote indicator

## PV - PRODUCT VARIATIONS



**PV - Contact Sales**

Choice of connectors

## RELATED PRODUCTS



**See Aspen CF**

110 mm downlight



**See Aspen CG**

190 mm downlight

Thornhill Road Business Park  
Tenter Fields, Dewsbury  
West Yorkshire  
WF12 9QT

+44 (0)1924 482777  
www.gamma-uk.com



Please note: Specification values may change due to rapid development of lighting technology. All performance data is taken at an ambient temperature of +25°C. Data may be rounded up/down for illustrative purposes. We reserve the right to amend or change details without prior notification. E&OE.