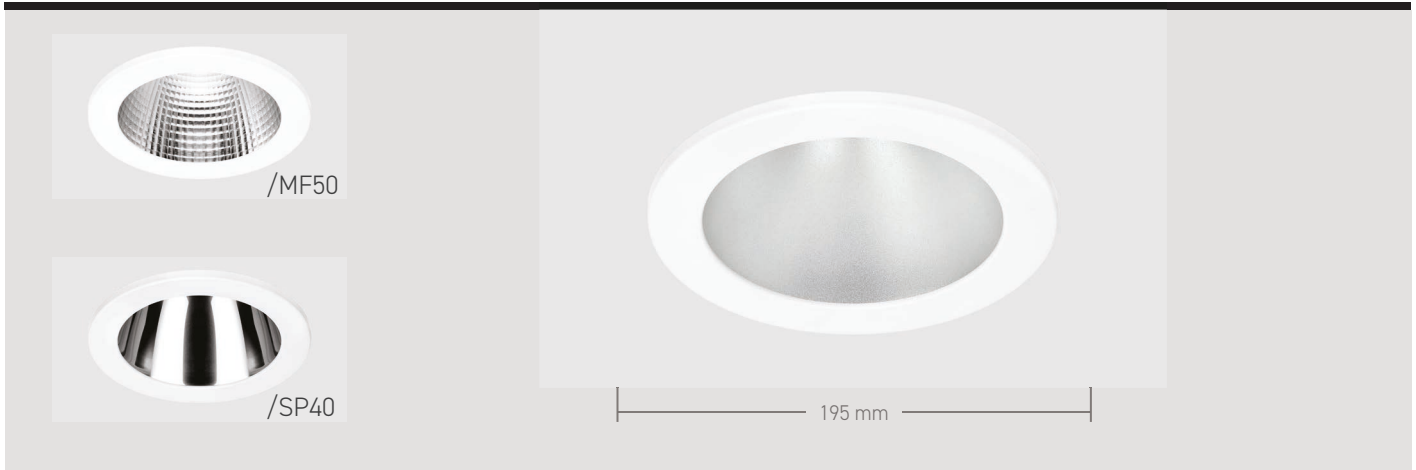


SYSION - AAJ

DATASHEET

TRIDONIC
TECHNOLOGY
INSIDE

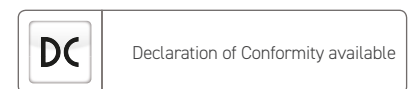
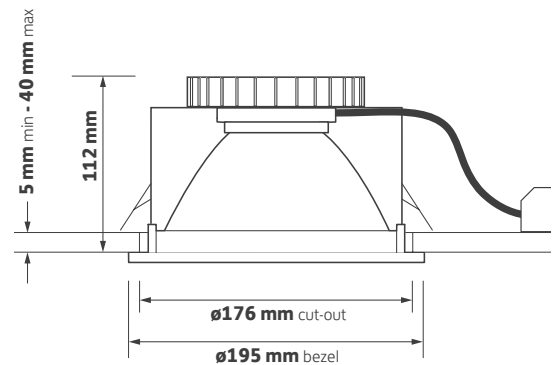
GAMMA
ILLUMINATION



Key Features

- Professional LED downlight
- Tridonic Advance LED and driver combination
- Part L and ETL compliant efficacies
- Low glare UGR <19 for LG7 compliance
- Lumen maintenance L80 / F10 @ 50,000 hours
- 60° satin etch reflector as standard
- Tunable white version, HCL variant
- 5 year warranty

Technical Drawing



Ordering Information

Luminaire Output (lm)	Power (tcW)	Colour	Model Ref.
1150	11.0	830	AAJ2001
1075	10.0	840	AAJ2003
1900	19.5	830	AAJ2002
1875	18.0	840	AAJ2004
2700	26.5	830	AAJ3002
2825	26.5	840	AAJ3004
1725	17.5	927 - 965	AAJ2000/TUNE

Options

Please select from the options below.

TA300 bezel accessory	/WH /BWH /BL /GY
50° Multifaceted reflector	/MF50
40° Specular reflector	/SP40
IP65 bezel option	/65
SwitchDIM, DALI or DSI	/ECO
Casambi Bluetooth wireless network	/BTC
EM conversion	/EM
DALI and Self-test EM conversion	/EMD
EM conversion (integral indicator)	/EMI
DALI & Self-test EM (integral indicator)	/EMDI

Emergency options not available on tunable white version

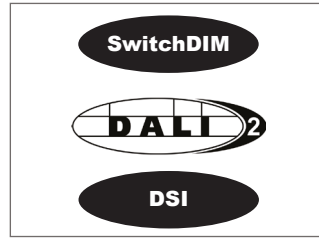
Options



/MF50
50° Multifaceted reflector



/SP40
40° Specular reflector



/ECO
SwitchDIM, DALI or DSI



/EM
EM conversion



/EMD
DALI and self-test EM conversion



/EMI
Integral indicator for EM conversion



/EMDI
Integral indicator for DALI and self-test EM conversion



LCP/XET
Lighting Control Panel / XE
Touch for use with tunable white option



/BTC
Casambi Bluetooth wireless network (inc dim)

Bezel Options



TA300/WH
White bezel - RAL9010



TA300/BWH
Brilliant white bezel - RAL9016



TA300/BL
Black bezel - RAL9005



TA300/GY
Grey bezel - RAL9006



AT300/WH, /BWH, /BL, /GY
White anti-tamper bezel



GF208 / GF218
Anti-tamper driver / Anti-tamper bit



TA301
White bezel complete with outer etched glass



TA302
White bezel complete with clear glass



TA303
White bezel complete with centre etched glass



TA305
White bezel complete with clear halo glass



TA306
White bezel complete with etched halo glass



TA307
White bezel complete with fully etched glass



/65
Universal bezel to accept IP65 accessories



IP65/002/195
IP65 Clear glass

Bezel Options (continued)



IP65/008/195
IP65 Opal polycarbonate



IP65/009/195
IP65 Clear polycarbonate



GF008 / GF010
Anti-tamper driver / Anti-tamper bit
for IP65 bezel

Accessories



TA310/BLACK
Black snoot



TA310/FROST
Frosted snoot



TA310/BLUE
Blue snoot



HALOKIT.002
Halo kit - maximum cut-out 250 mm



TA340
IP54 Clear glass



TA341
IP54 Centre etched glass



TA342
IP54 Full etched glass



TA343
IP54 Clear polycarbonate



TA344
IP54 Opal polycarbonate



TA317
IP44 Prismatic lens



TA384
Frosted hi-light



TA385
Blue hi-light