

PROFLUX - AHB

DATASHEET

TRIDONIC
TECHNOLOGY
INSIDE

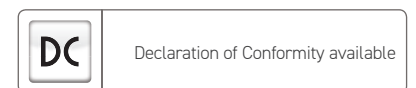
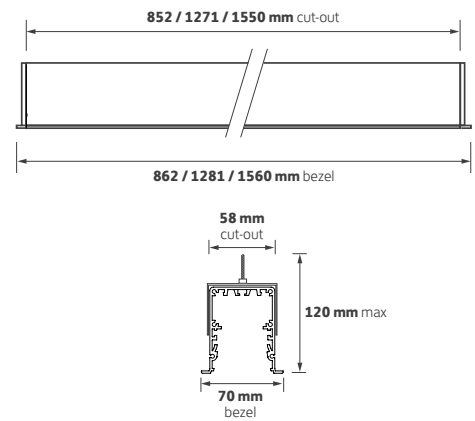
GAMMA
ILLUMINATION



Key Features

- Recessed, extruded linear profile luminaire
- Tridonic LED and driver combinations
- TP(a) elegant opal lens for general areas as standard
- Low glare prismatic lens available to aid LG7 compliance
- Lumen maintenance L80/F10 @ >72,000 hours
- Excellent efficacies of up to 120 llm/tcW
- Available in 3 standard 'solo' lengths
- Manufactured, tested and validated in the U.K.

Technical Drawing



Ordering Information

Length	Colour	Luminaire	Model Ref.	Luminaire	Luminaire
		output (llm) Std		output (llm) /LO	output (llm) /HO
850 mm	830	1725	AHB001	1175	2725
850 mm	840	1825	AHB002	1225	2875
1.2 m	830	2575	AHB003	1750	4100
1.2 m	840	2725	AHB004	1850	4300
1.5 m	830	3150	AHB005	2150	5000
1.5 m	840	3325	AHB006	2250	5250

Options

Please select from the options below.

Lower output	/LO
Higher output	/HO
Low glare prismatic lens for LG7 compliance	/LG
SwitchDIM, DALI or DSI	/ECO
EM conversion (not AHB001 / AHB002)	/EMI

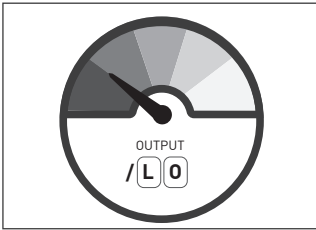
PROFLUX - AHB

OPTIONS AND ACCESSORIES

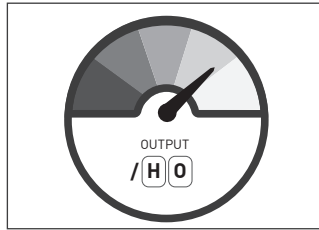
TRIDONIC
TECHNOLOGY
INSIDE

GAMMA
ILLUMINATION

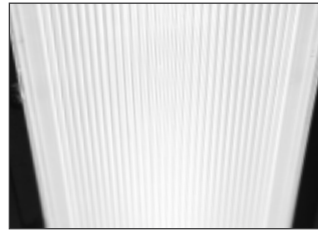
Options



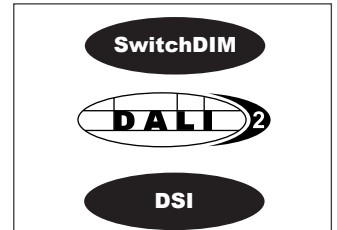
/LO
Lower output



/HO
Higher output



/LG
Low glare prismatic lens



/ECO
SwitchDIM, DALI or DSI



/EMI
EM conversion



PT001
Diffuser removal tool

Thornhill Road Business Park
Tenter Fields, Dewsbury
West Yorkshire
WF12 9QT
+44 (0)1924 482777
www.gamma-uk.com



FS 593079

