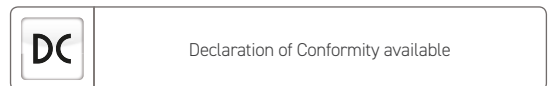
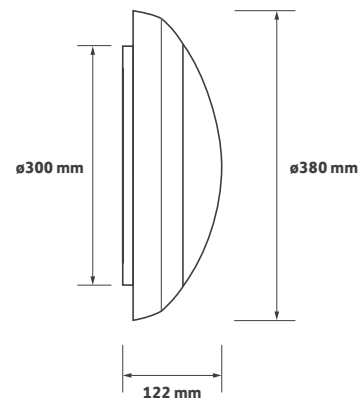




Key Features

- Stylish contemporary IK10 / IP65 LED bulkhead
- High performance UL94 polycarbonate body
- Twist and lock bezel to conceal fixings
- Tridonic LED boards and driver
- IP65 sealed against liquid and dust ingress
- IK10 rated - Impact tested to EN 62262
- Dimming and EM options
- Integral sensor options
- Back lit halo effect base option
- Bezel colour finish options
- Choice option also available, 30,000 hours, L90/F10

Technical Drawing



Ordering Information

	Luminaire Output (lm)	Colour	Power (tcW)	Fixed Output	/ECO	Choice Range (No options)
AFG001	1150	830	11	●	●	-
AFG002	1225	840	11	●	●	-
AFG003	1600	830	15	●	●	-
AFG004	1675	840	15	●	●	-
AFG101	1250	830	13	●	-	●
AFG102	1325	840	13	●	-	●

Options

Please select from the options below.

Black bezel	/BL
Back lit halo effect	/HALO
Anti-tamper gear tray screws	/AT
Anti-tamper steel bezel - black	/ATB
SwitchDIM, DALI or DSI	/ECO
Integral Sensor On - Off *	/SO
Integral Sensor On - 10% Dim *	/SD
Integral emergency	/EMI

***/SD and /SO** not available with **/ECO** and **Choice Range**

Options



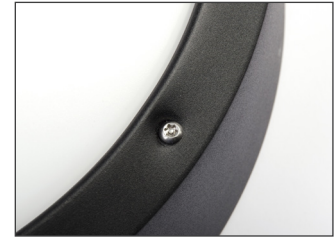
/BL
Black bezel



/HALO
Back lit halo effect body



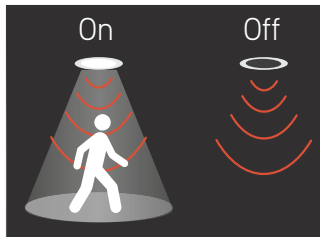
/AT
Anti-tamper gear tray screws



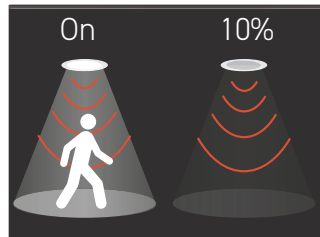
/ATB
Anti-tamper vandal resistant steel bezel and fixings



/EMI
Integral emergency conversion



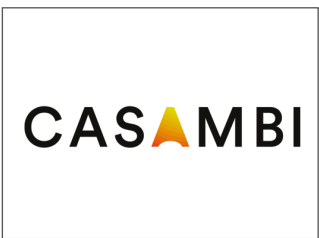
/SO
Integral motion sensor on/off



/SD
Integral motion sensor on/10% dim



IP65 Range
Our other IP65 products



/BTC
Casambi Bluetooth wireless network (inc dim)



Product variations
Other colours and specifications available on request



Product variation
Grey trim



Product variation
Antimicrobial enclosure - Protects against 99.99% of bacteria including MRSA and E.COLI over the life of the product