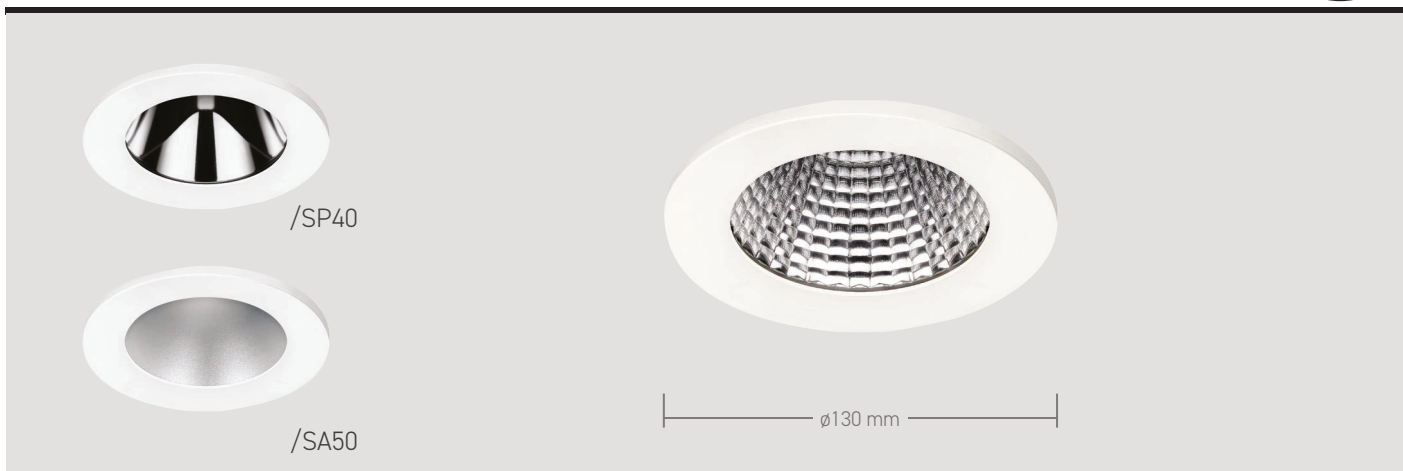


GREAT WHITE - TTT

DATASHEET

TRIDONIC
TECHNOLOGY
INSIDE

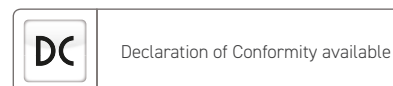
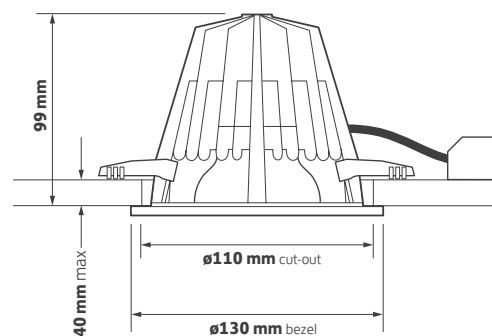
GAMMA
ILLUMINATION



Key Features

- Professional downlight with a wide choice of options and accessories
- Incorporates Tridonic LED module and driver systems
- UGR <19
- ETL compliant variants available - Please contact Sales
- Multi-faceted 40° reflector supplied as standard
- Height under 100 mm using optimised passive thermodynamics
- Decorative and IP65 bezel options
- Emergency, DALI and dimming options
- 5 year warranty

Technical Drawing



Ordering Information

Fixed current Tridonic driver using quality components for general applications.

Luminaire Output (lm)	Power (tcW)	Colour	Model Ref.
1025	8	830	TTT001
1075	8	840	TTT002
1725	14	830	TTT003
1800	14	840	TTT004
2375	19	830	TTT005
2450	19	840	TTT006
3150	28	830	TTT007
3275	28	840	TTT008

/TOP - 100,000h Tridonic Excite driver with I-select and loop-in/out function using high quality components for professional applications.

Options

Please select from the options below.

TA200 bezel options	/BWH, /WH, /GY, /BL
25° multi-faceted	/MF25
60° multi-faceted	/MF60
40° specular	/SP40
50° satin	/SA50
100,000 hour Tridonic Excite driver	/TOP
SwitchDIM, DALI or DSI	/ECO
Bluetooth wireless control (inc dim)	/BTC
Emergency (remote indicator)	/EM
DALI emergency (remote indicator)	/EMD
Emergency (integral indicator)	/EMI
DALI emergency (integral indicator)	/EMDI

GREAT WHITE - TTT

OPTIONS AND ACCESSORIES

TRIDONIC
TECHNOLOGY
INSIDE

GAMMA
ILLUMINATION

Options



/MF25
25° Multi-faceted reflector



/SP40
40° Specular reflector



/SA50
50° Satin reflector



/MF60
60° Multi-faceted reflector



/EM
EM conversion with remote indicator



/EMD
DALI and Self-test EM conversion with remote indicator



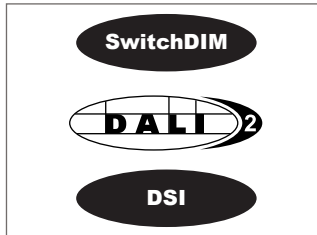
/EMI
EM conversion with integral indicator



/EMDI
DALI and Self-test EM conversion with integral indicator



/TOP
Tridonic Excite driver - 100,000 hours
I-Select, loop in - loop out



/ECO
SwitchDIM, DALI or DSI



/BTC
Casambi Bluetooth wireless network (inc dim)

GREAT WHITE - TTT

OPTIONS AND ACCESSORIES

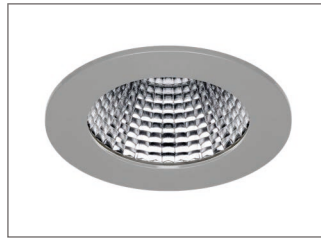
TRIDONIC
TECHNOLOGY
INSIDE

GAMMA
ILLUMINATION

Accessories



TA200/WH
White bezel - RAL9010



TA200/GY
Grey bezel - RAL9006



TA200/BL
Black bezel - RAL9005



TA200/BWH
Brilliant white bezel - RAL9016



TA225/WH
White bezel drop clear halo



TA226/WH
White bezel drop opal halo



AT200/WH
White anti-tamper bezel



IP65/001/130
IP65 bezel clear poly



TA240
IP54 Clear glass



TA241
IP54 Centre etched glass



TA242
IP54 Fully etched glass



TA220/FROST
Frosted hi-light



TA220/BLUE
Blue hi-light



TA210/BLACK
Black snoot



TA210/FROST
Frosted snoot



TA210/BLUE
Blue snoot



TA230/FROST
Frost Neo



TA230/BLUE
Blue Neo

GREAT WHITE - TTT

OPTIONS AND ACCESSORIES

TRIDONIC
TECHNOLOGY
INSIDE

GAMMA
ILLUMINATION



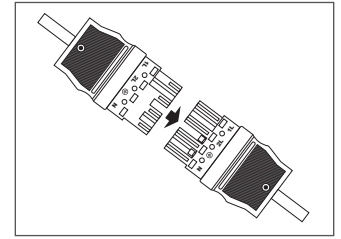
PI200
Plaster-in kit
Cut-out: 140mm / Height: 138mm



HALOKIT.001
Halo kit - maximum cut-out 150 mm



GF208 / GF218
Anti-tamper driver / Anti-tamper bit



Product variations
Plug and Sockets



Surface cans
Please refer to AHA datasheet



Suspended cans
Please refer to AHA datasheet

Gamma Illumination
Tenter Fields
Dewsbury
West Yorkshire
WF12 9QT

