

TITAN - IC

DATASHEET

PHILIPS
TECHNOLOGY
INSIDE

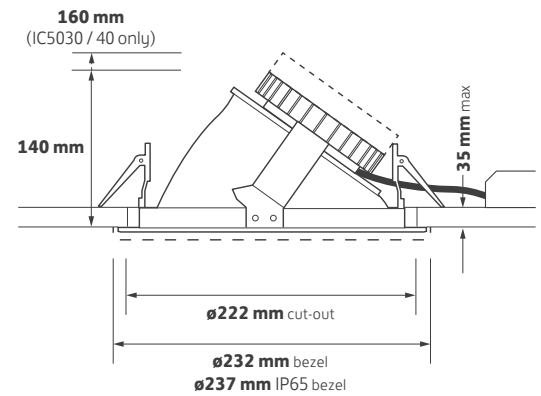
GAMMA
ILLUMINATION



Key Features

- High output asymmetric wall wash luminaire
- Fixed die-cast bezel finished in white
- Satin etched reflector
- Optimised thermal management system
- Choice of colour temperatures
- Dimming, wireless network and emergency conversion options
- Lumen maintenance L70/B10 @ >60,000 hours

Technical Drawing



Declaration of Conformity available

Ordering Information

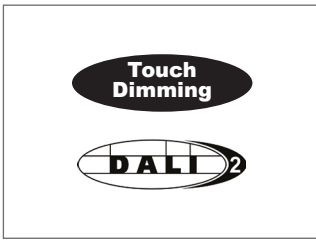
Luminaire Output (lm)	Power (tcW)	Colour	Model Ref.
1050	9.5	830	IC1130
1150	9.5	840	IC1140
1825	17.5	830	IC2030
1975	17.5	840	IC2040
2775	30.5	830	IC3030
3025	30.5	840	IC3040
4325	46.5	830	IC5030
4700	46.5	840	IC5040

Options

Please select from the options below.

Touch dimming / DALI	/T+DALI
EM - Remote indicator	/EM
DALI & self-test EM - Remote indicator	/EMD
EM - Integral indicator	/EMI
DALI & self-test EM - Integral indicator	/EMDI
Universal bezel to accept IP65 over-bezel	/65
Bluetooth Casambi wireless network	/BTC

Options



/T+DALI
Touch dimming / DALI



/EM
EM - Remote indicator



/EMD
DALI and self-test EM - Remote indicator



/EMI
EM - Integral indicator



/EMDI
DALI & self-test EM - Integral indicator



/54
IP54 sealed glass



/65
Universal bezel to accept IP65 over-bezel



IP65/002/240
IP65 sealed over-bezel with clear glass



GF008 / GF010
Anti-tamper driver / Anti-tamper bit for IP65 bezel



/BTC
Casambi wireless network (inc dim)