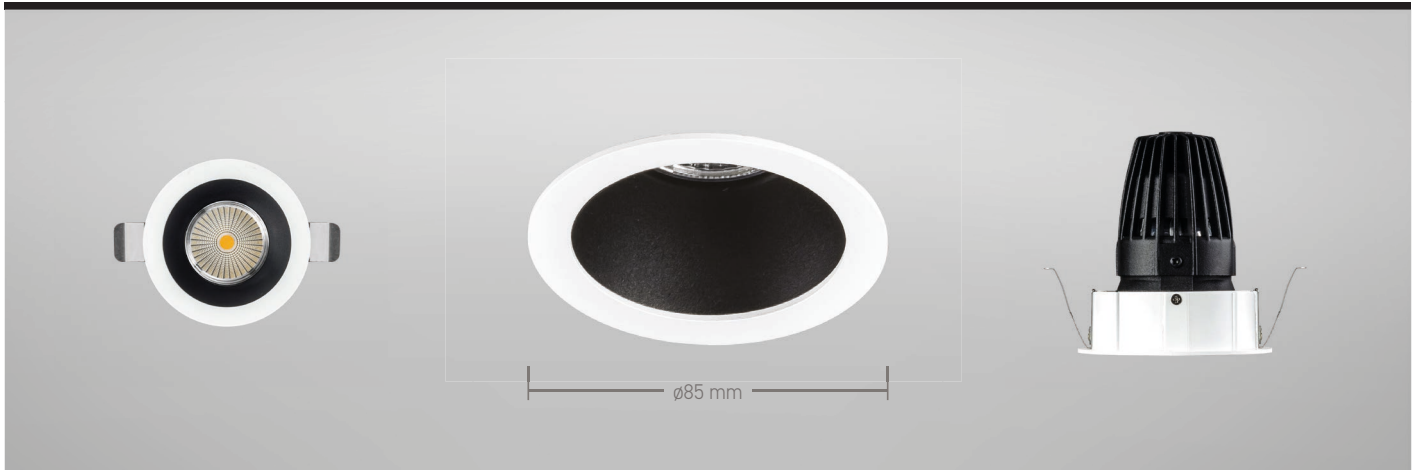


TOPAZ - ACJ

DATASHEET

TRIDONIC
TECHNOLOGY
INSIDE

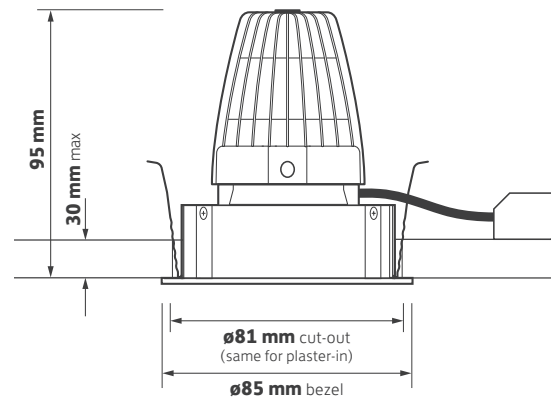
GAMMA
ILLUMINATION



Key Features

- Low glare architectural downlight
- Discreet minimal bezel, die-cast from pure aluminium
- White bezel - RAL 9003
- Matt black darklight baffle - RAL 9005 - developed to minimise glare
- Fitted with an integral IP44 protective lens as standard
- Precision moulded 40° reflector
- Tridonic LED engine and driver system
- Excellent thermally optimised 24 super-fin die-cast heatsink
- Short circuit, overload and temperature protection
- Complements Topaz ACA, ACB and ACC

Technical Drawing



Ordering Information

Engine Output (lm)	Power (W)	Colour	Model Ref.
600	8.0	927	ACJ001
675	6.5	830	ACJ002
700	6.5	840	ACJ003
850	10.0	927	ACJ004
850	8.0	830	ACJ005
900	8.0	840	ACJ006

Options

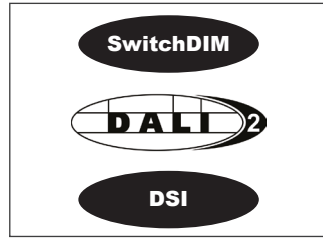
Please select from the options below.

SwitchDIM, DALI or DSI	/ECO
Mains dimming	/MDIM
Narrow beam reflector 20°	/NB
EM conversion	/EM
DALI / self test EM conversion	/EMD
EM conversion - integral indicator	/EMI
DALI / self test EM conversion - integral indicator	/EMDI
Plaster-in bezel version	/PI
Black bezel	/BK
White softlight baffle	/WSB
Ra90 High colour rendering	/9
Casambi wireless network (inc dim)	/BTC

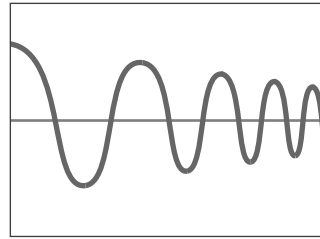
Options



/NB
20° Narrow beam reflector



/ECO
SwitchDIM, DALI or DSI



/MDIM
Mains dimming



/EM
EM conversion



/EMD
DALI and self test EM conversion



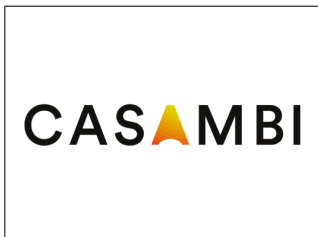
/EMI
EM conversion - integral indicator



/EMDI
DALI / self test EM conversion - integral indicator



/R9
Ra90 High colour rendering



/BTC
Casambi wireless network
(inc dim)



/PI
Plaster-in bezel version
(cut-out ø81 mm)



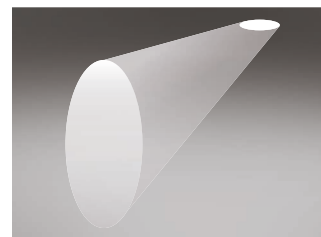
/BK
Black bezel - RAL 9005



/WSB
White softlight baffle - RAL 9003



Product variations
Other colours and specifications
available on request



Wall wash available
Please see Topaz ACA datasheet



Square available
Please see Topaz ACB and ACC
datasheets