

LINGO - LTT

DATASHEET

TRIDONIC
TECHNOLOGY
INSIDE

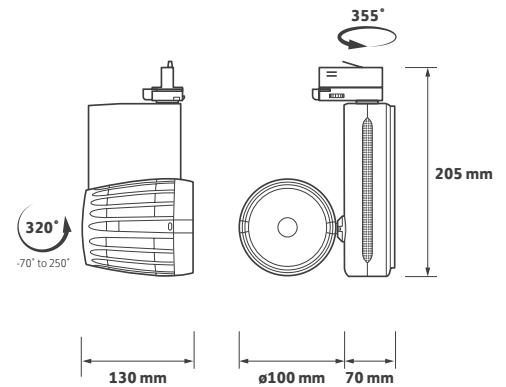
GAMMA
ILLUMINATION



Key Features

- High performance, high output, LED track spotlight
- Highly efficient passive heatsink
- Low glare 40° multi-faceted reflector as standard
- Compatible with Global Trac, Stucchi and Eutrac systems
- RAL 9016 white with RAL 9007 grey heatsink as standard, other options available
- DALI dimming option
- Lumen maintenance L80 / F10 @ >55,000 hours

Technical Drawing



DC

Declaration of Conformity available

Ordering Information

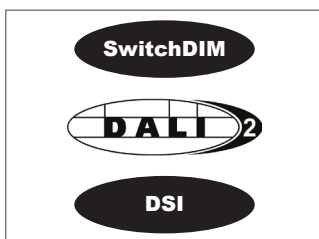
Luminaire Output (lm)	Power (tcW)	Colour	Model Ref.
3200	27.0	830	LTT001
3300	27.0	840	LTT002
4000	35.0	830	LTT003
4150	35.0	840	LTT004
4575	41.5	830	LTT005
4675	41.5	840	LTT006

Options

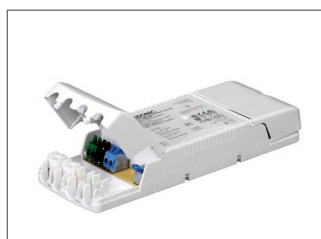
Please select from the options below.

Black body, grey heatsink	/BKG
White body, white heatsink	/WH
Black body, black heatsink	/BK
SwitchDIM, DALI or DSI	/ECO
100,000 hour Tridonic Excite driver	/TOP
25° narrow beam	/NB
60° wide beam	/WB
Barn doors - Black	/BD
Snoot - Black	/SN

Options



/ECO
SwitchDIM, DALI or DSI



/TOP
100,000 hour Tridonic Excite driver



/NB
25° Narrow beam reflector



/WB
60° Wide beam reflector



/BD
Barn doors - Black



/SN
Snoot - Black



9000/BP-D-W
Surface mounting pattress - White



9000/BP-D-B
Surface mounting pattress - Black



/HC
Honeycomb louvre



/BKG
Black - RAL9005 / Grey - RAL9007



/WH
White body and heatsink - RAL9016



/BK
Black body and heatsink - RAL9005

Also Available



Product variations
Other colours and specifications
available on request



Philips modules
See LTS datasheet



Xicato modules
Contact Sales



Track
See Stucchi ONETRACK datasheet