

EMERGENCY - SURFACE ILEM

DATASHEET

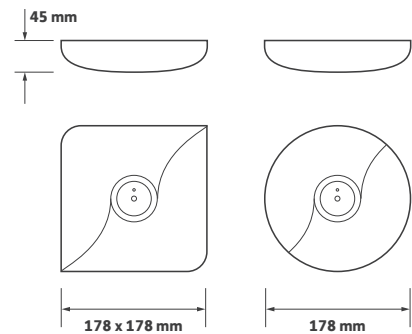
GAMMA
ILLUMINATION



Features

- Surface mounted self-contained LED emergency luminaire
- Round or square body
- Open area or corridor lens
- Hidden 'push-to-test' switch for manual testing (/EMD)
- Integral indicator LED
- Deep discharge protection
- Universal first-fix gear tray with options for either through-ceiling or side conduit cable entry
- Non-maintained 3 hour emergency operation
- DALI/self test options available

Technical Drawing



DC

Declaration of Conformity available

Ordering Information

Model Ref.	Body	Lens	Output (lm)	Power (W)
EMSURFR/OA	Round	Open area	188	3.5
EMSURFS/OA	Square	Open area	188	3.5
EMSURFR/CO	Round	Corridor	155	3.5
EMSURFS/CO	Square	Corridor	155	3.5

Options

Please select from the options below.

/BK	Black body
/EMD	Self test / DALI

EMERGENCY - SURFACE ILEM

DATASHEET



Emergency Lighting Spacings

Spacing Table - Open Area (/OA)

Mounting height (m)	Trans. to wall	Trans. to trans.	Axial to trans	Axial to axial	Axial to wall
2.00	3.48	8.62	8.45	8.45	3.29
2.50	3.71	9.31	9.22	9.27	3.70
3.00	3.85	10.07	9.75	10.03	3.73
3.50	3.93	10.46	10.35	10.56	3.77

Spacing Table - Corridor (/CO)

Mounting height (m)	Trans. to wall	Trans. to trans.	Axial to trans	Axial to axial	Axial to wall
2.00	6.97	16.72	10.97	5.76	2.14
2.50	7.26	19.05	12.00	6.10	2.10
3.00	7.07	20.17	12.69	6.04	2.02
3.50	6.31	20.73	12.47	6.01	1.78

Spacing tables are based upon the following parameters:

- Maintenance factor: 0.9
- Ballast lumen factor: 1.00
- Minimum illuminance on centre line: 1lux
- Minimum illuminance over half of the escape route width: 0.5 lux
- Diversity on the centre line maximum: 40:1

Please be aware that these are a minimum guide in accordance with BS/EN 1838. Local risk assessment by a competent person should be carried to ensure the emergency lighting system meets the requirements of the building and its occupants. Photometric data files are available for further information.

Thornhill Road Business Park
Tenter Fields, Dewsbury
West Yorkshire
WF12 9QT
+44 (0)1924 482777
www.gamma-uk.com

