

# NOTE - AGE

## DATASHEET

TRIDONIC  
TECHNOLOGY  
INSIDE

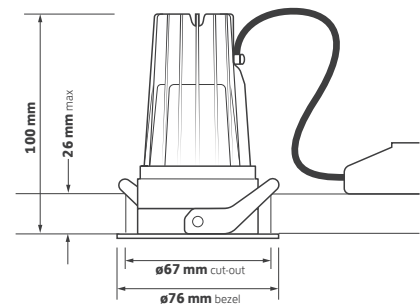
GAMMA  
ILLUMINATION



## Key Features

- Tridonic SLE advanced LED engine
- Citizen 1150 lm LED engine
- Lumen maintenance >55,000 hours L70 / F10
- 40° reflector as standard, 20° option
- Mini architectural pinhole style downlight
- Die-cast bezel RAL 9016 brilliant white
- Matt black anti-glare baffle
- Wide choice of options and accessories
- Wireless, dimming and emergency options
- 5 year warranty

## Technical Drawing



DC

Declaration of Conformity available

## Ordering Information

Engine Output (lm)	Power (tcW)	Colour	Model Ref.
525	8.0	927	<b>AGE001</b>
550	6.5	830	<b>AGE002</b>
600	6.5	840	<b>AGE003</b>
700	10.0	927	<b>AGE004</b>
725	8.0	830	<b>AGE005</b>
750	8.0	840	<b>AGE006</b>
1150	15.5	930	<b>AGE007/9</b>

## Options

Please select from the options below.

White tilt body	/T
Black body	/BL
Black tilt body	/BLT
White baffle	/WSB
Gold baffle	/GB
IP54 ribbed glass	/54
Honeycomb louvre	/HC
20° beam reflector	/NB
RA90 high colour rendering	/9
SwitchDim + DALI + DSI	/ECO
Mains dimming	/MDIM
3 hour EM conversion	/EM
3 hour DALI & self-test EM conversion	/EMD
Casambi wireless network (inc. dim)	/BTC

# NOTE - AGE

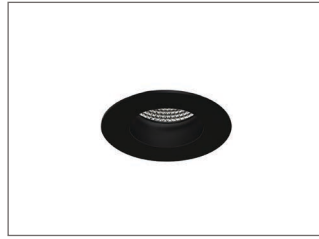
## OPTIONS AND ACCESSORIES



### Options



**/T**  
White tilt body



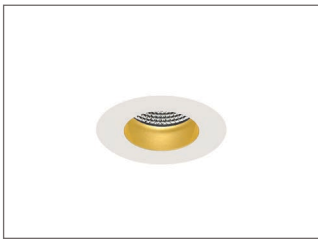
**/BL**  
Black body



**/BLT**  
Black tilt body



**/WSB**  
White baffle



**/GB**  
Gold baffle



**/54**  
IP54 ribbed glass



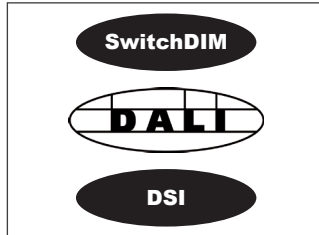
**/HC**  
Honeycomb louvre



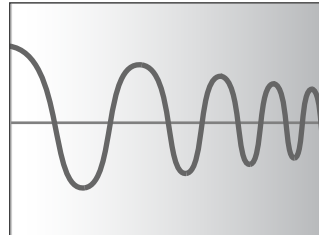
**/NB**  
20° beam reflector



**/9**  
Ra90 High colour rendering



**/ECO**  
SwitchDIM + DALI + DSI



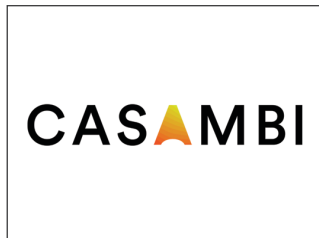
**/MDIM**  
Mains dimming



**/EM**  
3 hour EM conversion



**/EMD**  
3 hour DALI and self-test EM conversion



**/BTC**  
Casambi wireless network (inc dim)

Thornhill Road Business Park  
Tenter Fields, Dewsbury  
West Yorkshire  
WF12 9QT  
+44 (0)1924 482777  
www.gamma-uk.com



FS 593079

