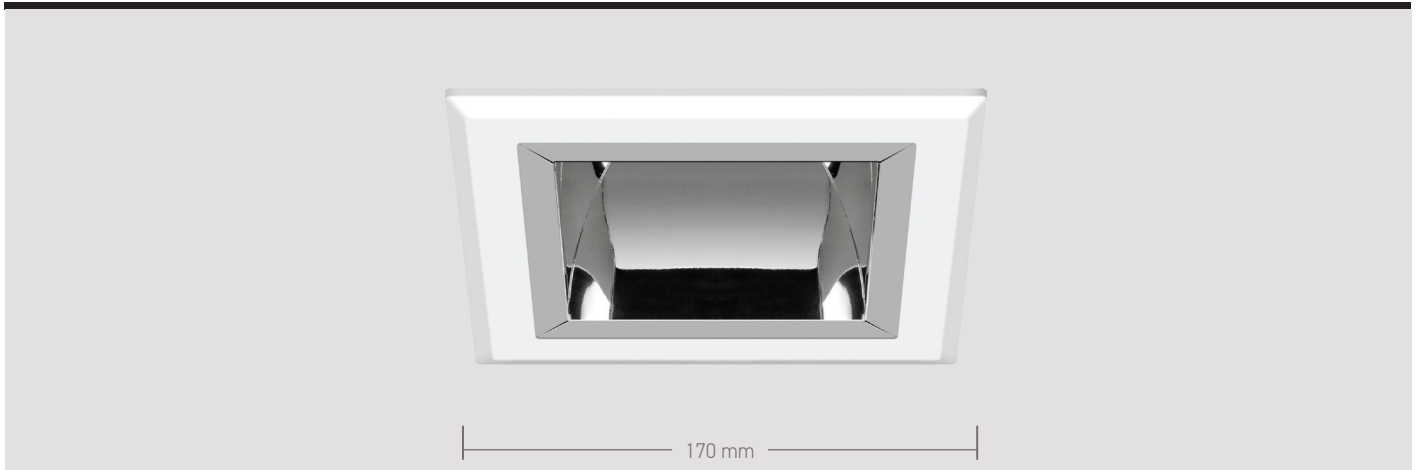


SYSION - AAC

DATASHEET

TRIDONIC
TECHNOLOGY
INSIDE

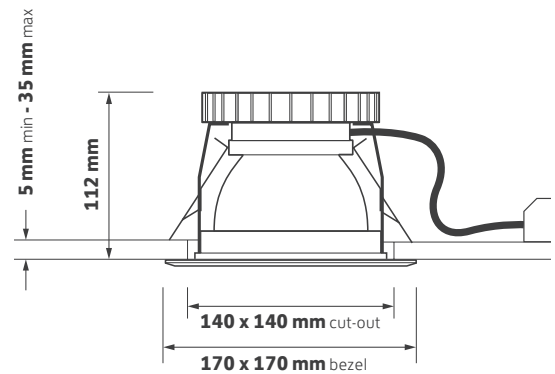
GAMMA
ILLUMINATION



Key Features

- Highly specular reflector with an outstanding efficiency of 96%
- Die-cast bezel with UB option for a range of accessories
- Various dimming options
- Tunable white version
- Emergency conversion options
- Lumen maintenance L80 / F10 @ >50,000 hours
- 5 year warranty
- Short circuit, overload and temperature protection
- Comes with 500 mm supply lead

Technical Drawing



DC Declaration of Conformity available

Ordering Information

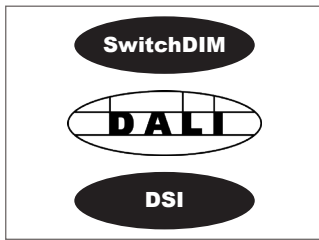
Luminaire Output (lm)	Power (tcW)	Colour	Model Ref.
1200	11.0	830	AAC2001
1200	10.0	840	AAC2003
2075	19.0	830	AAC2002
2075	18.0	840	AAC2004
3025	26.0	830	AAC3002
3025	26.0	840	AAC3004
1725	18.0	927 - 965	AAC2000/TUNE

Options

Please select from the options below.

SwitchDIM, DALI or DSI	/ECO
Universal bezel option	/UB
Casambi Bluetooth wireless network	/BTC
EM conversion	/EM
DALI and self-test EM conversion	/EMD
Integral indicator for EM conversion	I

Options



/ECO
SwitchDIM, DALI or DSI



/EM
EM conversion



/EMD
DALI and self-test EM conversion



/EMI
Integral indicator for EM conversion



/EMDI
Integral indicator for DALI and self-test EM conversion



/UB
Universal bezel option



/BTC
Casambi Bluetooth wireless network (inc dim)

Emergency options not available on tunable white version

Decorative Bezel

Please specify with Universal Bezel **/UB**



DA001
Clear acrylic



DA002
Opal acrylic



DA003
Clear acrylic halo



DA004
Opal acrylic halo