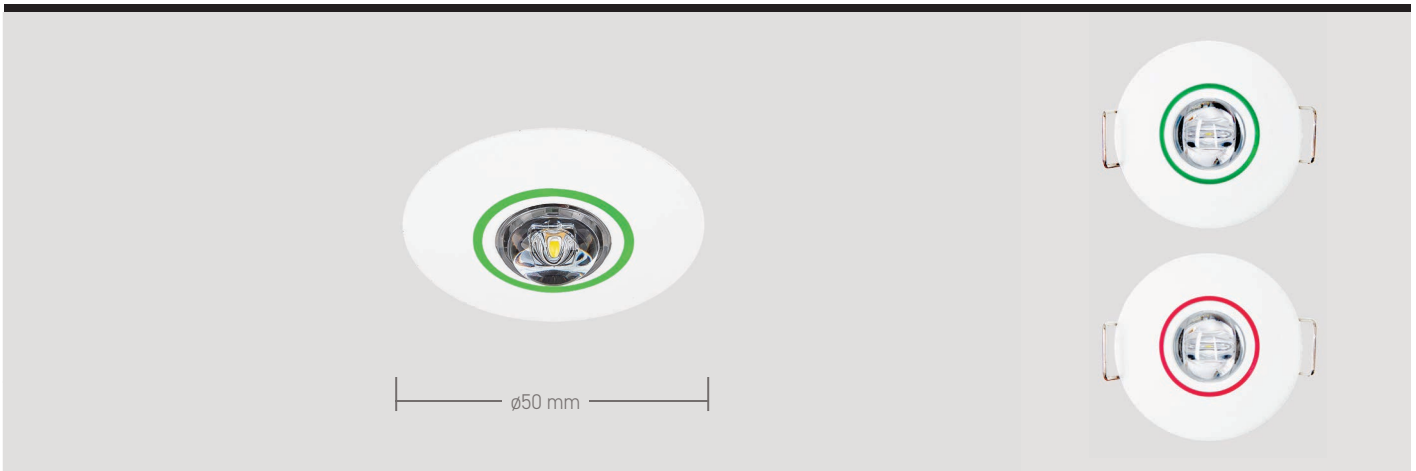


ILEM - STAND ALONE

DATASHEET

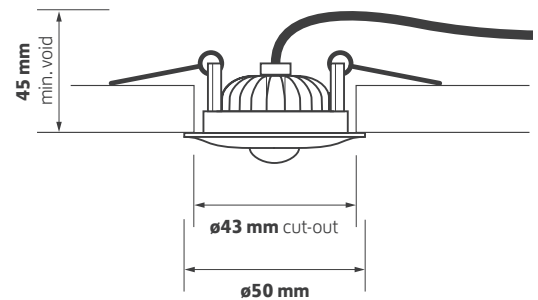
GAMMA
ILLUMINATION



Features

- Independent LED Emergency Module
- Bi-colour circlight charge indicator
- IP54 ingress protection as standard
- 3 hour emergency duration
- Open area (OA) or corridor (CO) optics
- DALI options available
- Available in white (RAL9016) or black (RAL9005)

Technical Drawing



Declaration of Conformity available

Ordering Information

Model Ref.	Output (lm)	Beam Angle	
		135°	115° x 155°
ILEM/OA	268	•	-
ILEM/CO	266	-	•

Options

Please select from the options below.

/BK	Black finish
/EMP	EM-Pro (void access required)
/EMD	DALI + self-test EM

ILEM - STAND ALONE

DATASHEET



Spacing Guide

Spacing Table - Open Area (/OA)

Mounting Height (m)	To Wall (m)		Between Luminaires (m)	
	0.5 lux	1.0 lux	0.5 lux	1.0 lux
2.5	5.4	4.5	12.5	10.7
3.0	5.9	4.7	13.9	11.7
4.0	6.6	-	16.2	13.1
5.0	0.3	-	17.7	0.5
6.0	-	-	18.7	-

Spacing Table - Corridor (/CO)

Mounting Height (m)	Along Corridor (Length)			
	To Wall (m)		Between Luminaires (m)	
	0.5 lux	1.0 lux	0.5 lux	1.0 lux
2.5	9.9	8.1	22.3	19.7
3.0	10.7	8.4	25.4	21.5
4.0	11.8	0.4	29.5	23.5
5.0	11.5	-	32.2	22.9
6.0	-	-	33.5	-

Independent LED EM Module



Thornhill Road Business Park
Tenter Fields, Dewsbury
West Yorkshire
WF12 9QT
+44 (0)1924 482777
www.gamma-uk.com

