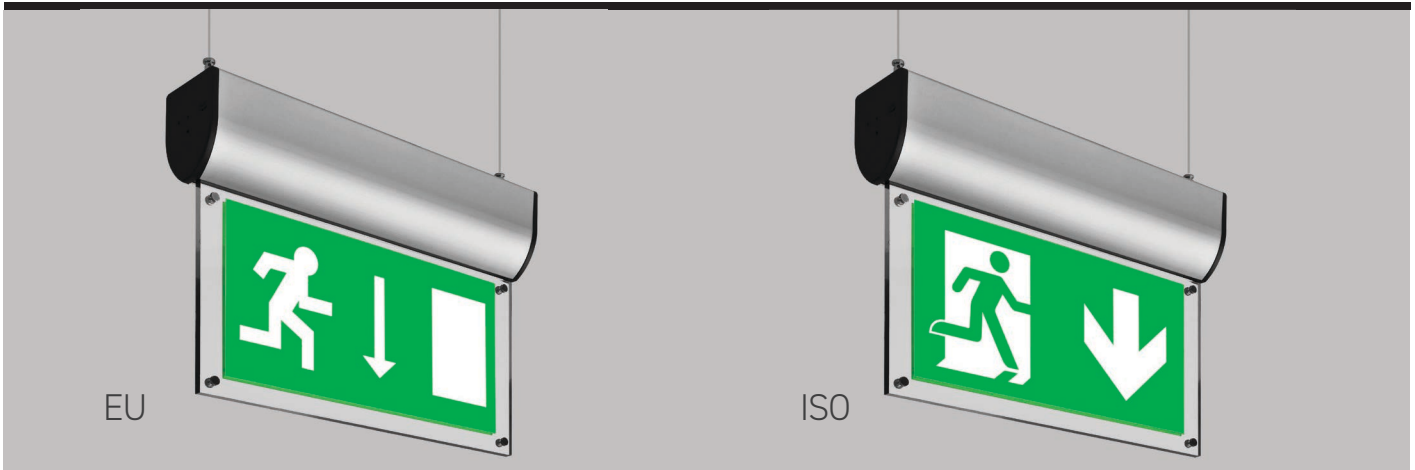


LXS004

DATASHEET

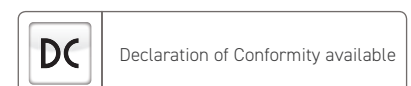
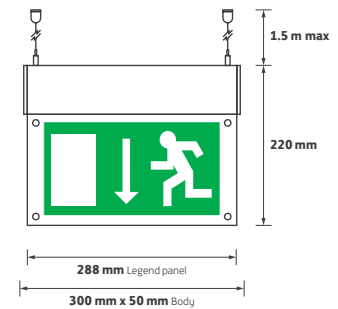
GAMMA
ILLUMINATION



Key Features

- Maintained operation
- 15 x high intensity LEDs for bright, uniform illumination of legend panel
- Double sided acrylic legend panel conforms to requirements of EU signs directive
- ISO signage also available
- 1.5 m wire suspension
- Supplied with arrow down legend (EU)
- DALI / self-test version available
- Brushed aluminium finish

Technical Drawing



Ordering Information

Rated Duration (hours)	Recharge Time (hours)	Typical Life (hours)	Model Ref.
3	24	50,000	LXS004

Options

DALI / self-test	/EMD
Reversible left / right legend panel (EU)	LXSLR
Double sided arrow up legend panel (EU)	LXSUP
Double sided arrow down legend panel (ISO)	LXSAD/ISO
Reversible left / right legend panel (ISO)	LXSLR/ISO
Double sided arrow up legend panel (ISO)	LXSUP/ISO