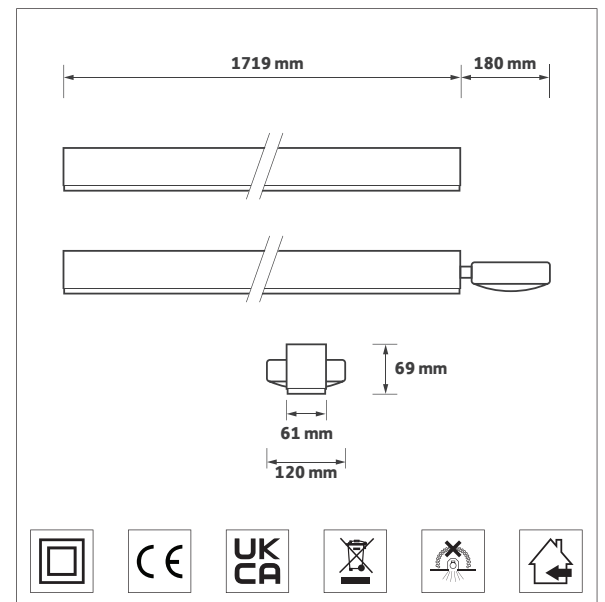




KEY FEATURES

- High output SMART LED industrial linear luminaire
- Designed for aisle, warehouse, retail and hall applications
- Philips LED and driver system
- EasyAir sensor system option, inc dimming, motion sensing, daylight harvesting and wireless mesh / control
- Surface, suspended or BESA mounting options
- Long life up to 70,000 hours L70
- Ledil 84° + 35° PMMA oval lens as standard
- Emergency, DALI, dimming and wireless network control options
- Excellent colour consistency and flicker-free operation
- Excellent efficacy up to 141 llm/tcW

DIMENSIONS



ORDERING INFORMATION

Luminaire output (lm)	Colour temp	Luminaire power (tcW)	Light source efficacy (lm/W)	Luminaire efficacy (llm/tcW)	Model ref.
8025	840	57	176	141	AFH001
11,850	840	88	163	135	AFH002

OPTIONS

Options	Suffix
Control gear	/T+DALI, /EA
Emergency - Remote indicator	/EMI, /EMDI
Optics	/MB, /WB
Product variations available	PV.

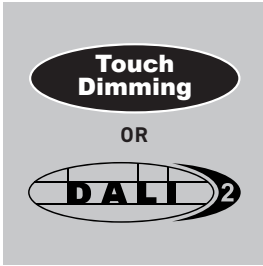


Raptor - AFH

Options and accessories



Membership No 1835



/T+DALI
Touch dimming or DALI control gear



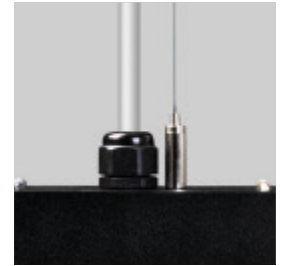
/EA
EasyAir sensor system



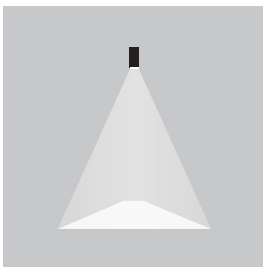
/EMI
Emergency Integral indicator



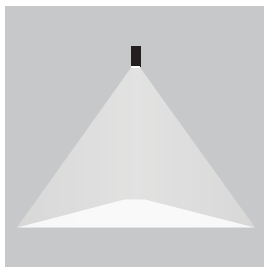
/EMDI
DALI / Self test EM Integral indicator



SUS168
2 m suspension kit



/MB
Medium beam (34°)



/WB
Wide beam (92°)



EAWS001
EasyAir wall switch



App
Available from Google Play store

PV - PRODUCT VARIATIONS



PV - Contact Sales
Choice of connectors



PV - Contact Sales
LSOH / LSF cable



PV - Contact Sales
Sensor ready
Options available



PV - Contact Sales
D4i sensors available



PV - Contact Sales
Finish options

Thornhill Road Business Park
Tenter Fields, Dewsbury
West Yorkshire
WF12 9QT
+44 (0)1924 482777
www.gamma-uk.com



Please note: Specification values may change due to rapid development of lighting technology. All performance data is taken at an ambient temperature of +25°C. Data may be rounded up/down for illustrative purposes. We reserve the right to amend or change details without prior notification. E&OE.