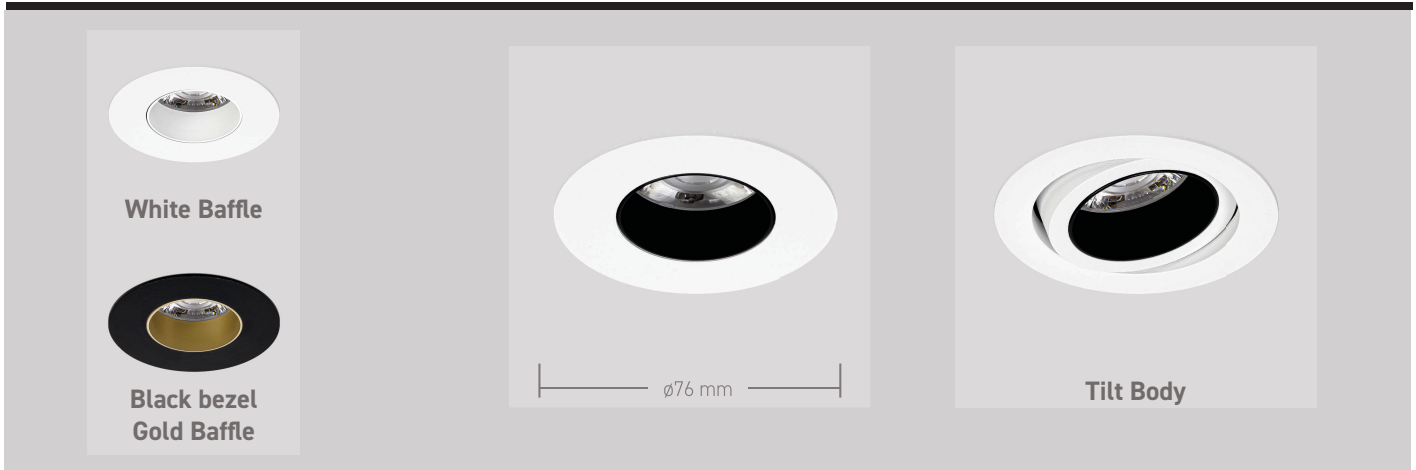


# NOTE - AGB

## DATASHEET

TRIDONIC  
TECHNOLOGY  
INSIDE

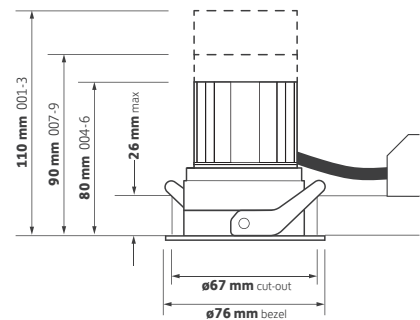
GAMMA  
ILLUMINATION



## Key Features

- Tridonic SLA Essence engine
- Lumen maintenance L70/B50 @ 50,000 hours
- Engine efficacy up to 85 lm/W (001 - 003)
- Engine efficacy up to 104 lm/W (004 - 009)
- 36° lens as standard, 24° & 12° options
- Die-cast bezel RAL 9016 brilliant white
- Matt black anti-glare baffle
- Wide choice of options and accessories
- Wireless, dimming and emergency options
- 5 year warranty

## Technical Drawing



Declaration of Conformity available

## Ordering Information

Engine Output lm	Power tcW	Colour	Model Ref.
Mains dimmable driver on board - DOB			
725	9.5	927	<b>AGB001</b>
775	9.5	930	<b>AGB002</b>
825	9.5	940	<b>AGB003</b>
SLA LED engine and driver			
775	11	927	<b>AGB004*</b>
850	11	930	<b>AGB005*</b>
900	11	940	<b>AGB006*</b>
1150	14	927	<b>AGB007</b>
1175	14	930	<b>AGB008</b>
1275	14	940	<b>AGB009</b>

## Options

Please select from the options below.

White tilt body	/T
Black body	/BL
Black tilt body	/BLT
White baffle	/WSB
Gold baffle	/GB
Honeycomb louvre	/HC
24° lens	/NB
12° lens*	/SNB
SwitchDim + DALI + DSI (not DOB)	/ECO
3 hour EM conversion (not DOB)	/EM
3 hour DALI & ST EM conversion (not DOB)	/EMD
Casambi wireless network (inc dim) (not DOB)	/BTC
Mains dimming (std on DOB)	/MDIM

\*/SNB not available on 004 / 005 / 006

# NOTE - AGB

## OPTIONS AND ACCESSORIES

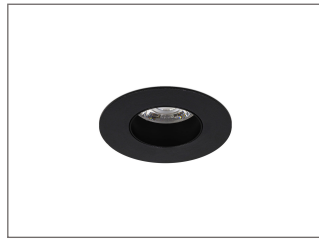
TRIDONIC  
TECHNOLOGY  
INSIDE

GAMMA  
ILLUMINATION

### Options



**/T**  
White tilt body



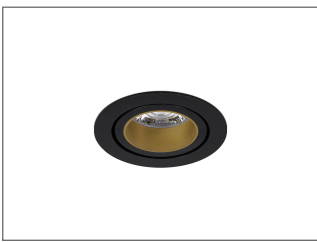
**/BL**  
Black body



**/BLT**  
Black tilt body



**/WSB**  
White baffle



**/GB**  
Gold baffle



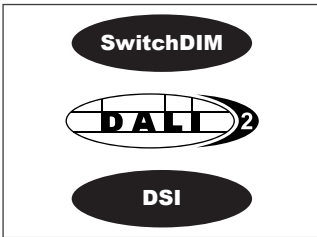
**/HC**  
Honeycomb louvre



**/NB**  
24° lens



**/SNB**  
12° lens  
not available on 004 / 005 / 006



**/ECO**  
SwitchDIM + DALI + DSI  
(Not DOB)



**/EM**  
3 hour EM conversion  
(Not DOB)



**/EMD**  
3 hour DALI and self-test EM  
conversion (Not DOB)



**/BTC**  
Casambi wireless network  
(inc dim) (Not DOB)



**/MDIM**  
Mains dimming  
(Std on DOB)

Thornhill Road Business Park  
Tenter Fields, Dewsbury  
West Yorkshire  
WF12 9QT  
+44 (0)1924 482777  
www.gamma-uk.com

