

# MONTANA - AJI

## DATASHEET

TRIDONIC  
TECHNOLOGY  
INSIDE

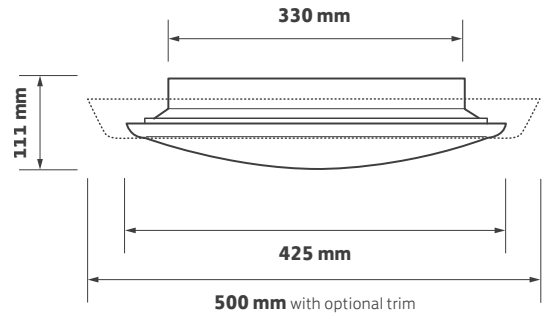
GAMMA  
ILLUMINATION



### Key Features

- LED bulkhead
- Built around the Tridonic CLE LED module
- Opal polycarbonate diffuser to minimise glare and LED spotting
- Integrated microwave presence detector option
- Emergency, wireless network and dimming options
- Lumen maintenance of up to L70/F10 at >72,000 hours (see technical data for details)

### Technical Drawing



Declaration of Conformity available

### Ordering Information

	Luminaire Output (lm)	Colour Temp (K)	Power (tcW)	Fixed Output	/ECO	Choice Range (No options)
<b>AJI101</b>	1375	3000	13	•	-	•
<b>AJI102</b>	1475	4000	13	•	-	•
<b>AJI103</b>	2150	3000	23	•	-	•
<b>AJI104</b>	2275	4000	23	•	-	•
<b>AJI1501</b>	1925	3000	16	•	•	-
<b>AJI1502</b>	2025	4000	16	•	•	-
<b>AJI4001</b>	2625	3000	20	•	•	-
<b>AJI4002</b>	2750	4000	20	•	•	-

### Options

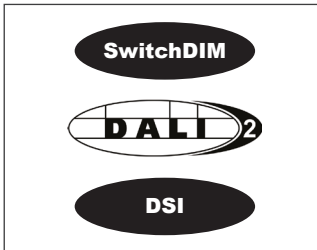
Please select from the options below.

3 hour emergency	<b>/EM</b>
Sensor on/off *	<b>/SO</b>
Sensor dim (10 / 100%) *	<b>/SD</b>
Bluetooth Casambi wireless network **	<b>/BTC</b>

\***/SD** and **/SO** not available with **/ECO** and **Choice Range**

\*\***/BTC** not available with **Choice Range**

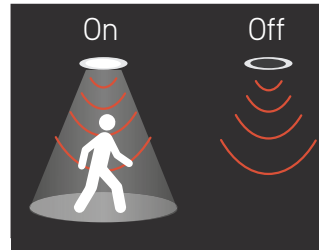
### Options and accessories



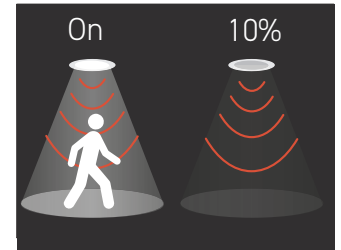
**/ECO**  
SwitchDIM, DALI or DSI



**/EM**  
Integral emergency conversion



**/SO**  
Integral motion sensor on/off



**/SD**  
Integral motion sensor on/10% dim



**/BTC**  
Casambi wireless network (inc dim)



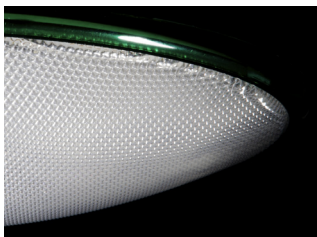
**DB001**  
Gloss white trim



**DB002**  
Brushed aluminium effect trim



**DB003**  
Chrome trim



**Product Variation**  
Prismatic Lens  
Call for details



**Product Variation**  
Transparent Colour Bodies  
Call for details



**Product Variation /EMS /EMD**  
Integral emergency conversion