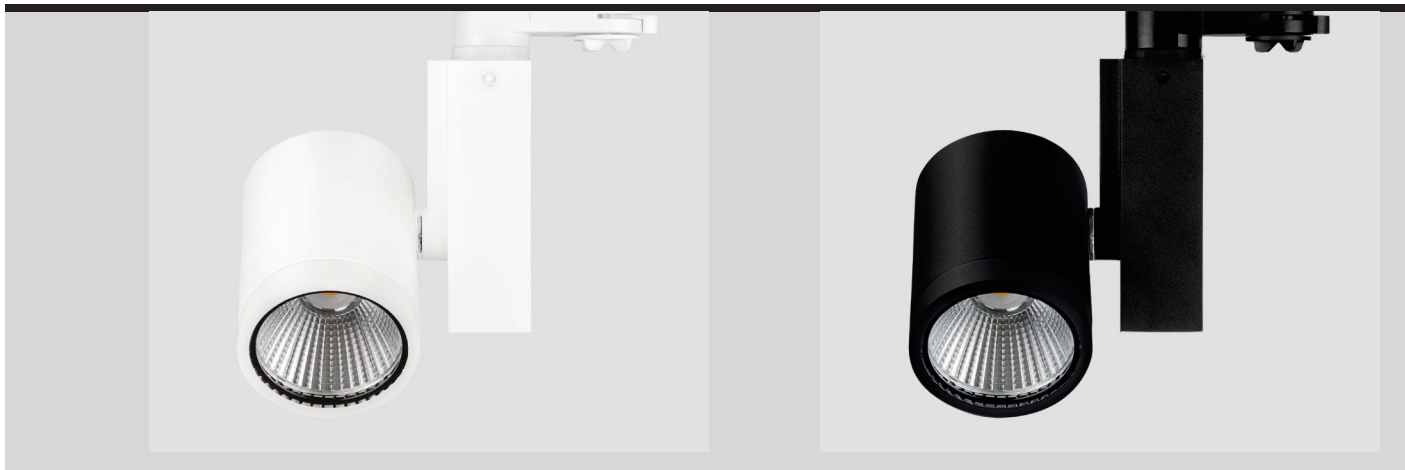


JINGO - AEJ

DATASHEET

TRIDONIC
TECHNOLOGY
INSIDE

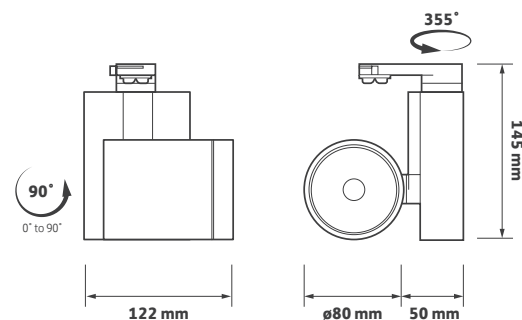
GAMMA
ILLUMINATION



Key Features

- A contemporary track spotlight with vertical gear housing
- Swivel and tilt adjustment for added flexibility
- High colour rendering option
- Medium beam reflector (25.6°) as standard, other beam options available
- Dimming option
- Compatible with Global Trac, Stucchi and Eutrac systems
- Short circuit, overload and temperature protection
- Lumen maintenance L70 / F10 @ >55,000
- White as standard, black is also available

Technical Drawing



DC

Declaration of Conformity available

Ordering information

Luminaire Output lm	Power tcW	Colour	Model Ref.
1100	10	830	AEJ001
1175	10	840	AEJ003
1975	20.5	830	AEJ005
2075	20.5	840	AEJ007
925	10	930	AEJ001/9
975	10	940	AEJ003/9
1625	20.5	930	AEJ005/9
1750	20.5	940	AEJ007/9

Options

Please select from the options below.

Black	/BK
Dimming	/DALI
Narrow beam	/NB
Wide beam	/WB
Excite 100,000 hr driver	/TOP

Options



/NB
Narrow beam reflector



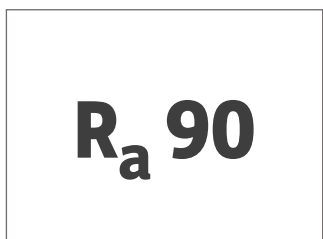
/WB
Wide beam reflector



/DALI
DALI dimming



/TOP
Tridonic Excite driver - 100,000 hours
I-Select, loop in - loop out



High colour rendering
See technical sheet



/BK
Black



9000/BP-D-W
Surface mounting pattress - White



9000/BP-D-B
Surface mounting pattress - Black

Also Available



Product variations
Other colours and specifications
available on request



Horizontal gear housing
See Jingo AEA datasheet



Track
See Stucchi ONETRACK datasheet