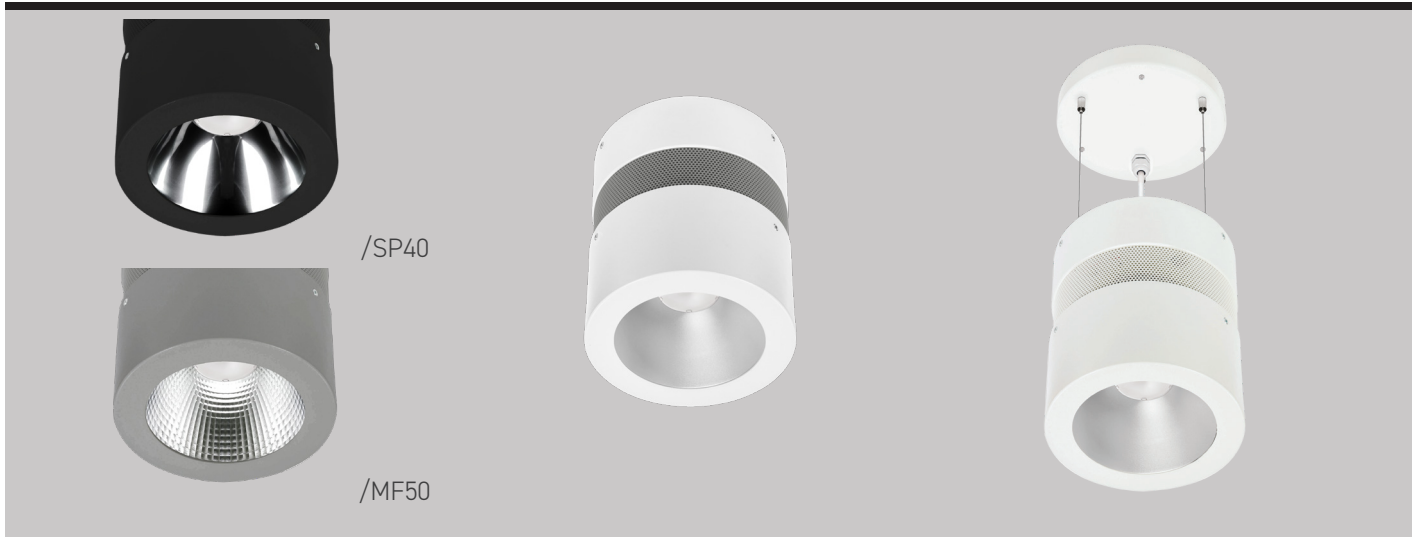


SYSION - SRE

DATASHEET

PHILIPS
TECHNOLOGY
INSIDE

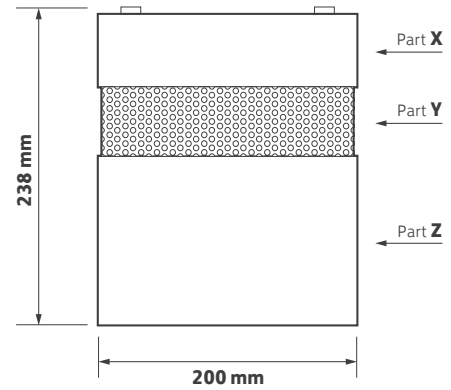
GAMMA
ILLUMINATION



Key Features

- Spun aluminium surface downlight with a wide range of options
- Philips LED and driver combination
- 60° satin etch reflector as standard
- Choice of paint finish options
- Lumen maintenance L70/B10 @ >60,000 hours
- Integral DALI options
- Alternative reflector options
- 2 m suspension kit available
- Emergency options available (contact Sales for details)

Technical Drawing



Surface



Pendant



UK
CA



CE



DC

Declaration of Conformity available

Ordering Information

| Luminaire Output (lm) | Power (tcW) | Colour | Model Ref. |
|--------------------------|----------------|--------|--------------------|
| 1200 | 14.0 | 830 | SRE1130/XYZ |
| 1300 | 14.0 | 840 | SRE1140/XYZ |
| 1900 | 24.0 | 830 | SRE2030/XYZ |
| 2075 | 24.0 | 840 | SRE2040/XYZ |
| 2550 | 34.5 | 830 | SRE3030/XYZ |
| 2775 | 35.0 | 840 | SRE3040/XYZ |
| 3475 | 46.5 | 830 | SRE5030/XYZ |
| 3800 | 46.5 | 840 | SRE5040/XYZ |

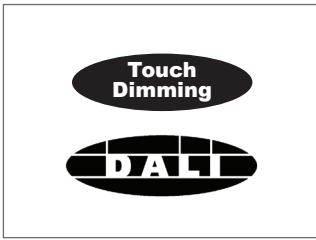
Options

Please select from the options below.

| | | | |
|---------------|------------------|------------------|-----------------|
| Part X | W = White | B = Black | G = Grey |
| Part Y | W = White | B = Black | G = Grey |
| Part Z | W = White | B = Black | G = Grey |

| | |
|-----------------------------|----------------|
| Touch dimming / DALI | /T+DALI |
| 50° multi-faceted reflector | /MF50 |
| 40° specular reflector | /SP40 |

Options



/T+DALI
Touch dimming / DALI



/SUSW
2 m suspension kit in white



/SUSG
2 m suspension kit in grey



/SUSB
2 m suspension kit in black

Code examples



/WBW
White, black, white



/WGW
White, grey, white



/BGB
Black, grey, black



/BBB
Black, black, black

Accessories (factory fit only)



TA340
Clear glass



TA341
Centre etched glass



TA342
Fully etched glass



TA343
Clear polycarbonate



TA344
Opal polycarbonate



Emergency conversions
Contact Sales



Any RAL colour
Contact Sales